

Tech Note 083123_01

Date: August 31st, 2023

Product: RD16

Subject: Douglas WRE-9242, Emergency Switching

Note: The Douglas WRE-9242 requires alternate configuration and wiring to ensure proper control.

The Douglas WRE-9242 Emergency Relay Driver provides UL924 emergency switching capabilities for up to two Douglas WR-6xxx relays.

When utilizing the Douglas WRE-9242 with RD16, the two Douglas WR-6xxx relays must be terminated on different RD16 Relay Driver output "terminal block columns". There are four "terminal block columns" on RD16.

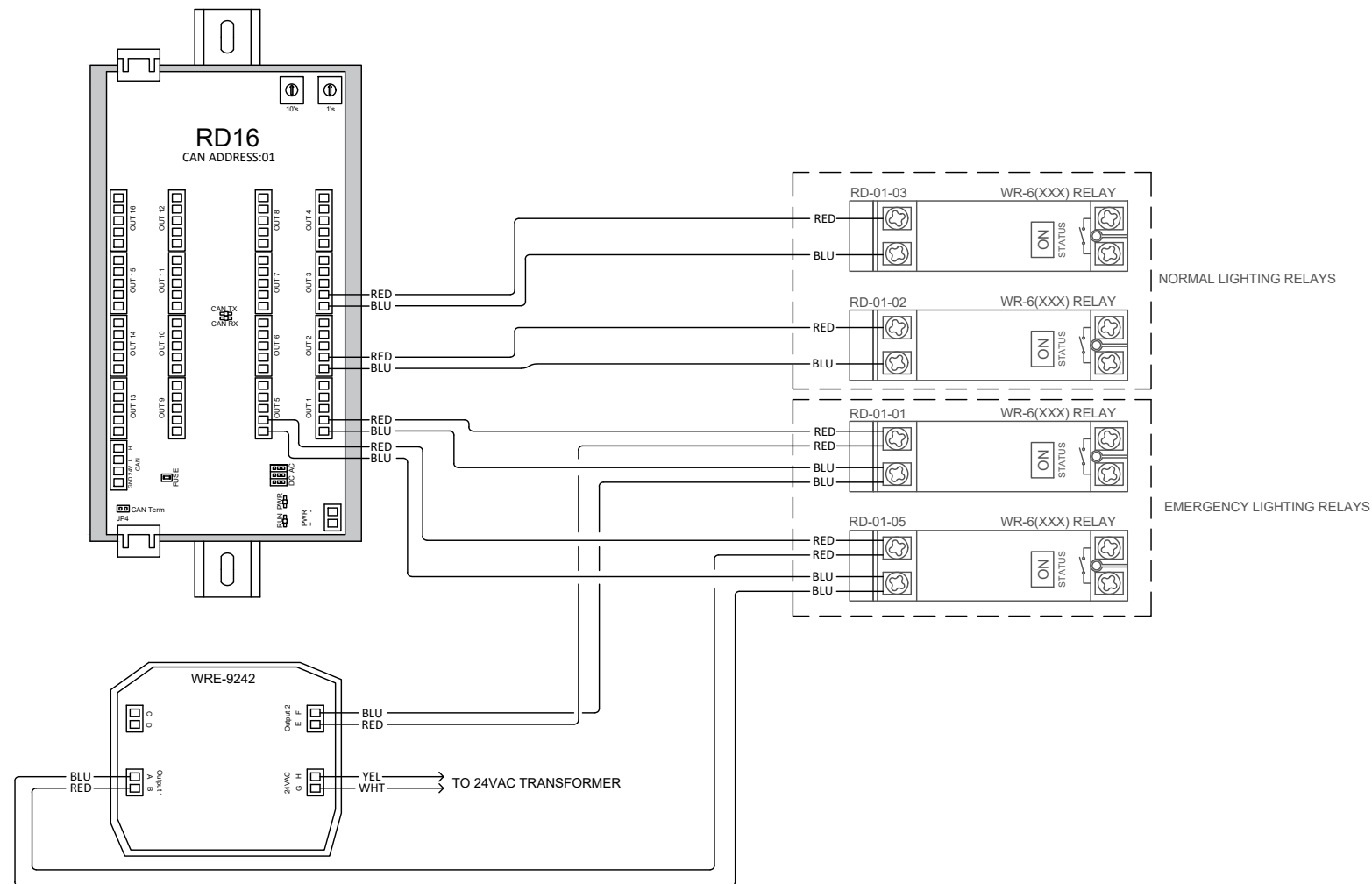
Column 1: Outputs 01 - 04
Column 2: Outputs 05 - 08
Column 3: Outputs 09 - 12
Column 4: Outputs 13 - 16

Warning: If this configuration and wiring methodology is not implemented, both relays will fire simultaneously, regardless of whether the command is for the first or second relay.

Multiple WRE-9242s may be controlled by a single RD16. The guidance above applies to each WRE-9242 in use. Conversely, a pair of relays residing within the same column will function independently if each is controlled by a separate WRE-9242.

A typical wiring diagram is available on the following page for reference.

Please contact our technical support team with any questions:
techsupport@brtint.com
770-790-4880 ext.3



The Douglas WRE-9242 Emergency Relay Driver provides UL924 emergency switching capabilities for up to two Douglas WR-6xxx relays.

When utilizing the Douglas WRE-9242 with RD16, the two Douglas WR-6xxx relays must be terminated on different RD16 Relay Driver output "terminal block columns". There are four "terminal block columns" on RD16.

- Column 1: Outputs 01 - 04
- Column 2: Outputs 05 - 08
- Column 3: Outputs 09 - 12
- Column 4: Outputs 13 - 16

Warning: If this configuration and wiring methodology is not implemented, both relays will fire simultaneously, regardless of whether the command is for the first or second relay.

Multiple WRE-9242s may be controlled by a single RD16. The guidance above applies to each WRE-9242 in use. Conversely, a pair of relays residing within the same column will function independently if each is controlled by a separate WRE-9242.

ENGINEERING STANDARDS
Typical Wiring Diagram

RD16 + Douglas WRE-9242

REV: 1.00 | TYPE: Wiring Typical | DATE: 08/31/2023 | JOB #:

BLUE RIDGE
TECHNOLOGIES™
UNIFIED LIGHTING CONTROL

ENGINEERED BY: EFM
DRAWN BY: EFM
CHECKED BY: EFM
PAGE: 1 of 1