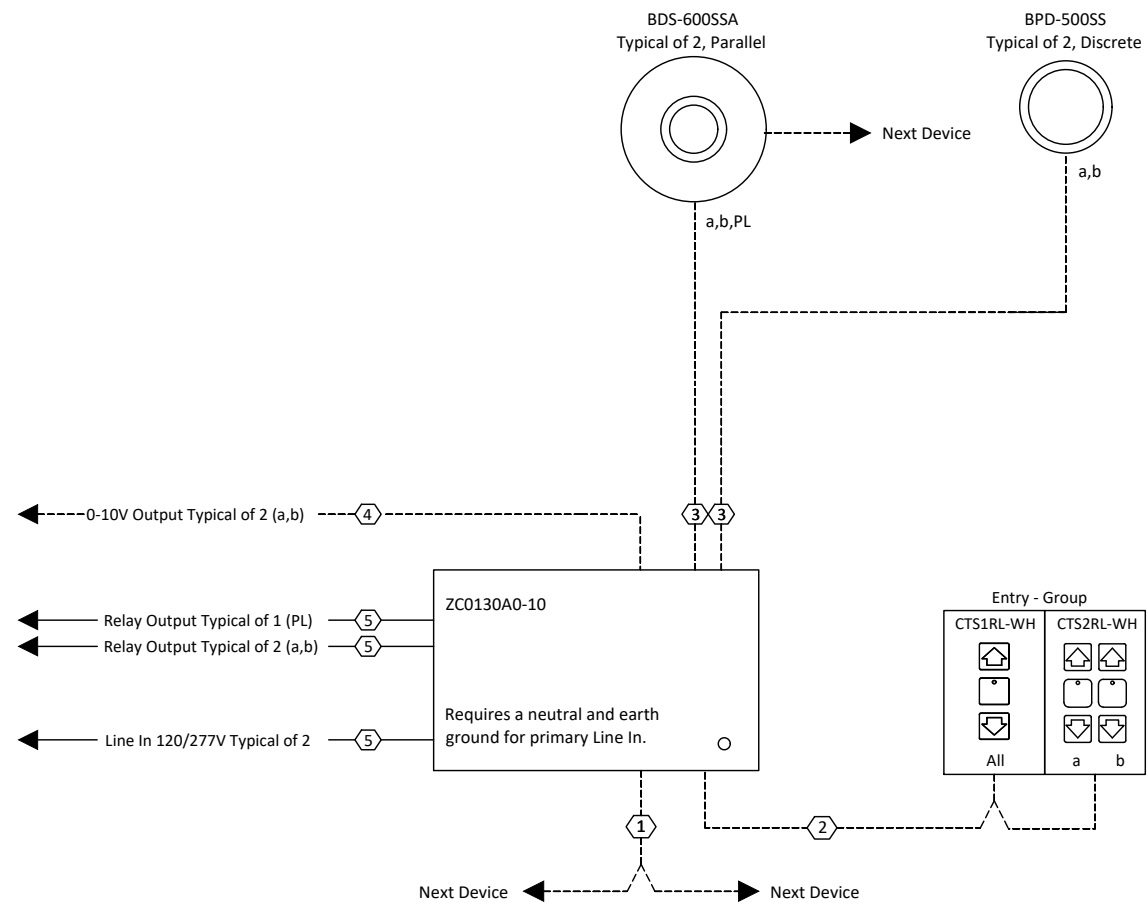
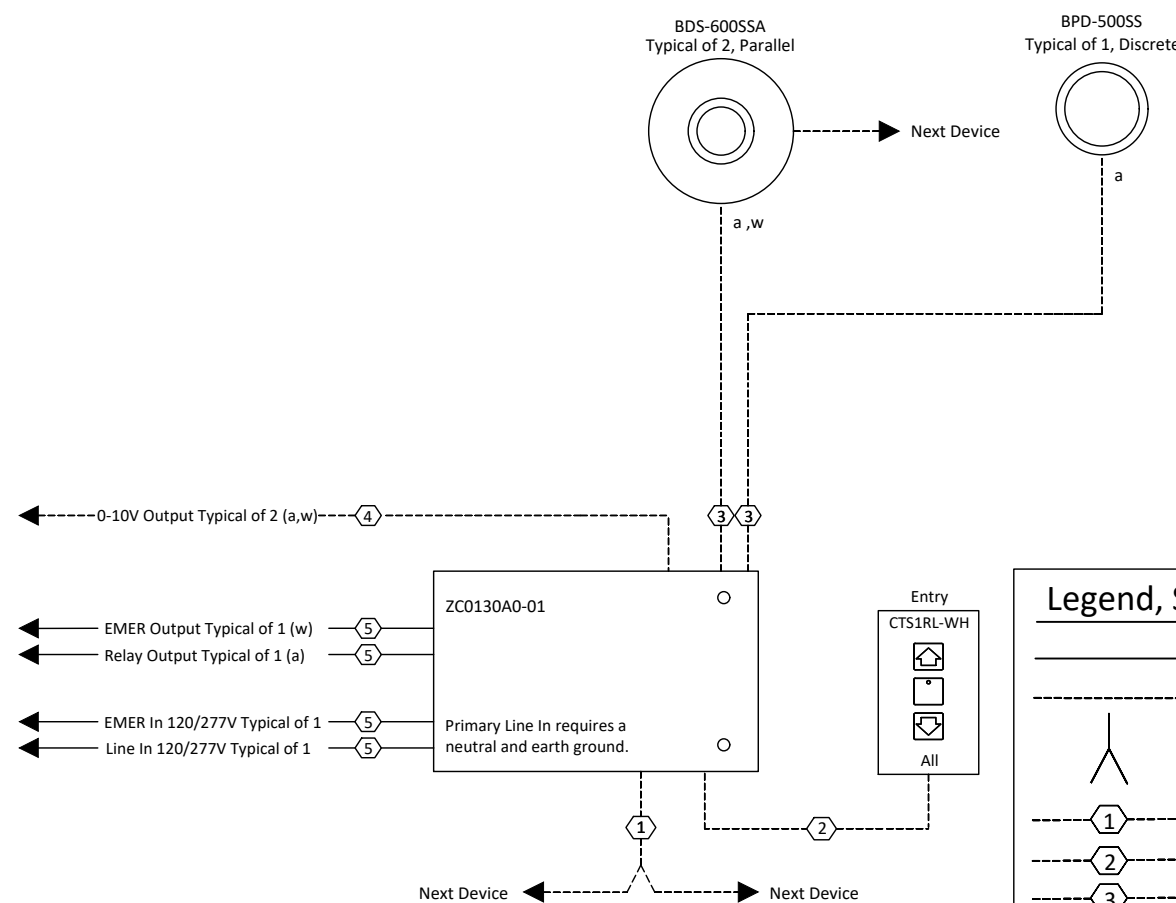


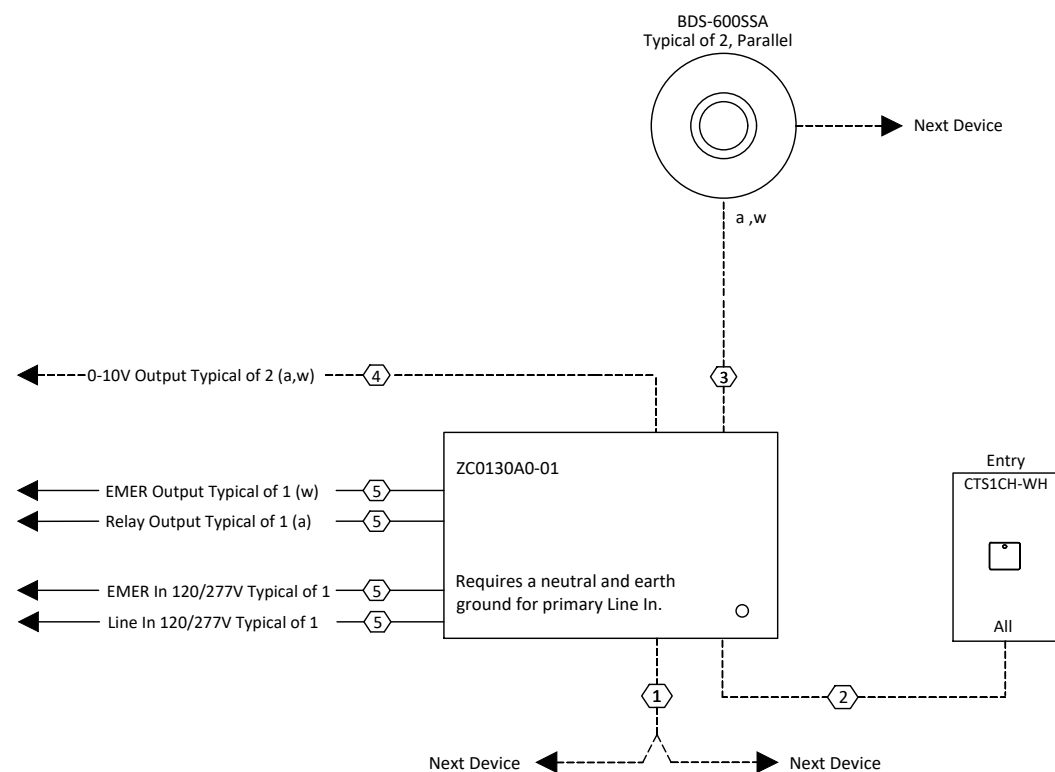
**PRIVATE OFFICE: (1) ZONE, (2) CHANNEL, (1) PLUG LOAD**



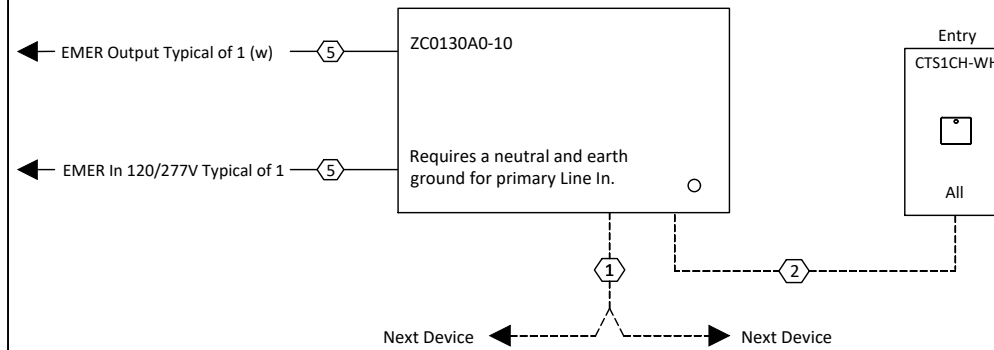
**RESTROOM: (1) ZONE, (1) CHANNEL, (1) EMERGENCY CIRCUIT**



**ELECTRICAL RM./ CUSTODIAL RM./ STORAGE CLOSET: (1) ZONE, (1) CHANNEL, (1) EMERGENCY CIRCUIT**



**ELEVATOR: (1) ZONE, (1) EMERGENCY CIRCUIT**



**Legend, Symbols**

- Class-I Wire/Cable
- - - - Class-II Wire/Cable
- ⋈ Indicates Daisy Chain Topography
- ① BACnet/MSTP, CL3P-22/2-LC-S
- ② CANbus, (1)CL3P-22/2-LC, (1)CL3P-22/2
- ③ Input Cable, CL3P-22/3
- ④ Output Cable, CL3P-22/2
- ⑤ 14-10 AWG, Copper Conductors
- a,b,c, etc... Indicates Control Channel
- (PL) Plug Load
- DLH Daylight Harvesting
- Parallel Multiple Devices, Single Input
- Discrete One Device Per Input

**Responsibility Matrix**

Symbol	Division *23	Division 26
①	X	
②	X	
③	X	
④		X
⑤		X

\*Division 23 or Division 25

Lighting Control Diagrams: ZC  
Details (NTS)

TYPICAL APPLICATIONS