

Note:

Lighting control system furnished by Division 23/25 (Controls Contractor) and installed by Division 26. CANbus Network is daisy-chain only.

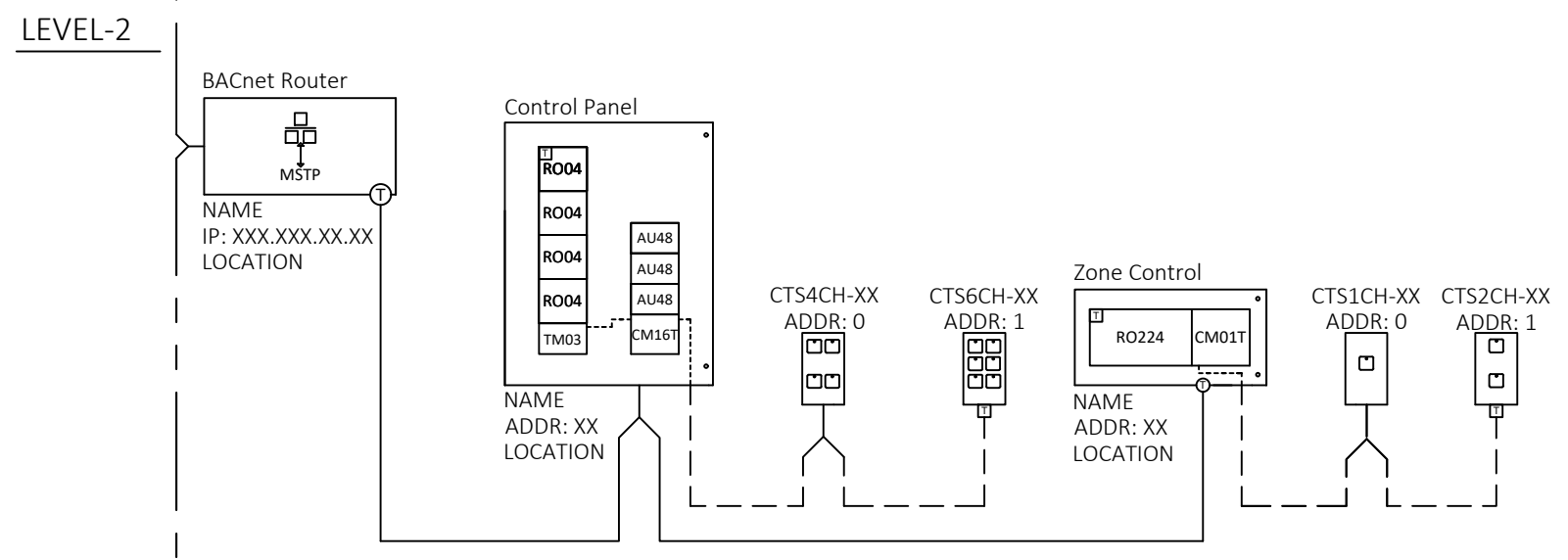
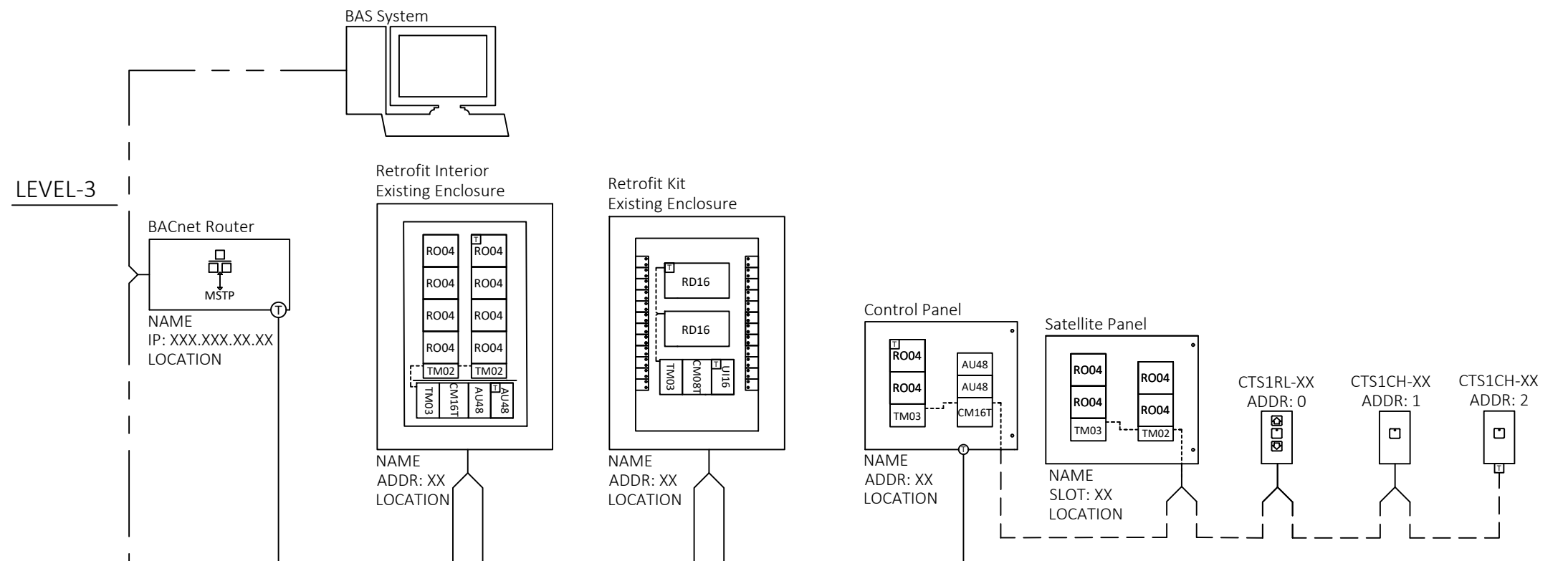
———— BACnet: CL3P 22/2 Shielded, Low Cap, Max 4,000'

- - - - - CANbus Network: CL3P 18/4, Max 1,300'

———— IP Network: CAT-5e, Max 328'

Ⓣ BACnet MS/TP Network Terminator

Ⓣ CANbus Network Terminator



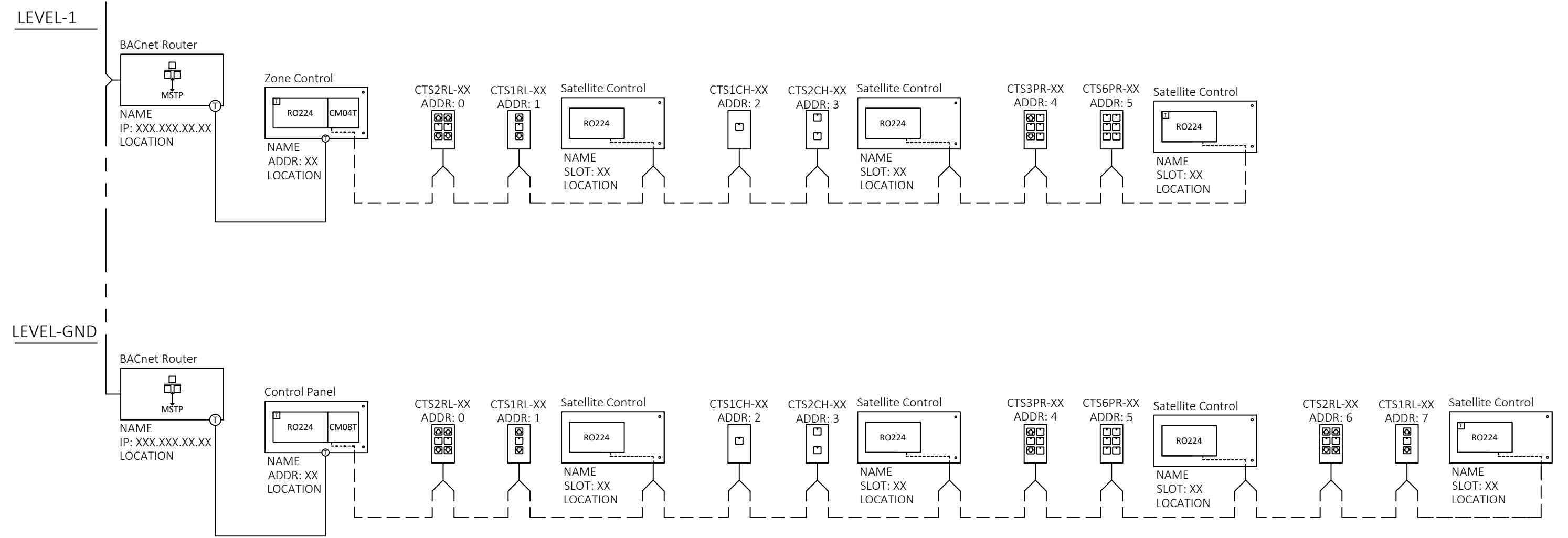
To
LEVEL-1
Page: 3.20

Engineering Standards SYS_03.00			
Lighting Control System Riser			
Rev: 1.00	Type: RISER	Date: 03-17-2020	Job #:
 UNIFIED LIGHTING CONTROL			Engineered: WCD
			Drawn: BBL
			Checked: WCD
			Page: 03.10

Note:
 Lighting control system furnished by Division 23/25 (Controls Contractor) and installed by Division 26. CANbus Network is daisy-chain only.

———— BACnet: CL3P 22/2 Shielded, Low Cap, Max 4,000'
 - - - - - CANbus Network: CL3P 18/4, Max 1,300'
 ————— IP Network: CAT-5e, Max 328'

Ⓣ BACnet MS/TP Network Terminator
 □ CANbus Network Terminator



Engineering Standards SYS_03.00			
Lighting Control System Riser			
Rev: 1.00	Type: RISER	Date: 03-17-2020	Job #:
 BLUE RIDGE TECHNOLOGIES™ UNIFIED LIGHTING CONTROL			Engineered: WCD
			Drawn: BBL
			Checked: WCD
			Page: 03.20