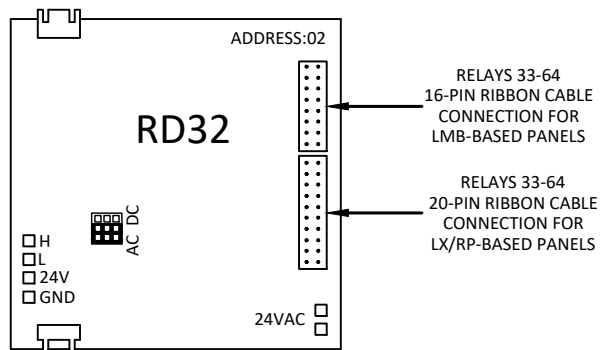
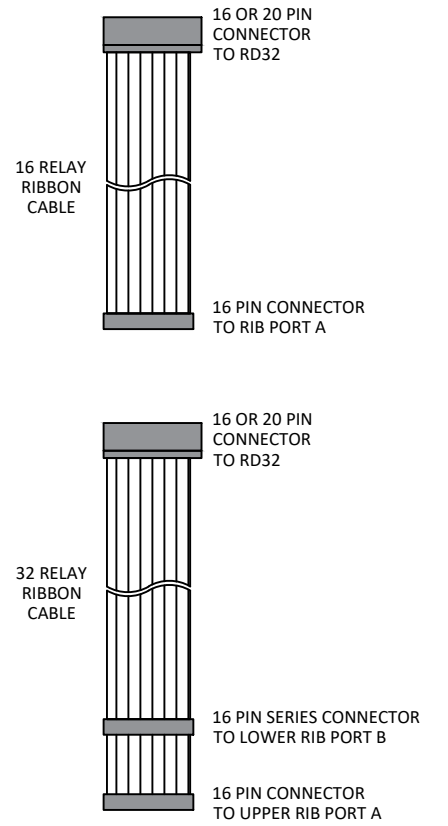


RIBBON CABLE DETAIL



ENGINEERING STANDARDS
RD32_RIBDTL_1.00

Relay Interface Board (RIB) to RD32 Detail

| | | | |
|-----------|----------------------|------------------|--------------------|
| REV: 1.00 | TYPE: Detail Drawing | DATE: 03/21/2022 | JOB #: |
| | | | ENGINEERED BY: WCD |
| | | | DRAWN BY: EFM |
| | | | CHECKED BY: ML |
| | | | PAGE: 1 of 1 |