

Project

Part Number

Ref.

Data Sheet

Overview

Relay Panel (RP) is a UL Listed lighting control panel. RP may be controlled from any BACnet BAS and is compatible with all low voltage switches. RP mounts near the circuit breaker panel to provide centralized control of branch lighting circuits. Relay Panel 08 (RP08) features 4 or 8 Lighting Tough Relays (LTR) and a removable door.

Features

UL Listed
BACnet MS/TP and BACnet ARCnet communication to BAS network
Sub network for Capacitive Touch Stations (CTS-DDN)
Line and low voltage compartment separation
Upgradable controller firmware

General Specifications

Construction: 16ga steel with black powder coat finish

Dimensions:

Enclosure: 14.75"(375mm)H x 13.00"(330mm)W x 5.75"(146mm)D

Door Surface Mount: 14.94"(379mm)H x 13.16"(334mm)W

Weight: 20.5lbs(9.3 kg)

Mounting: Surface mounted

Operating Environment: 32-125°F (0-50°C), 20-95%RH, non-condensing, Type 1 (dry / indoor environment)

Certifications

UL Listed, UL916 Standard for Energy Management Equipment, US/Canada
FCC Part 15
CEC Title 24
Electronics meet or exceed IEC Level 3

Warranty

Two (2) year limited manufacturer warranty from date of shipment (extended warranty optional).

Controller Specifications

Power In: 24VAC +/-10%, 30VA, 50-60 Hz

Auxiliary Out: 24VAC, 800mA (devices with full wave rectified power supply only)

Digital Input (DI) and DDN Network Power Out: 24VDC, 200mA total

Digital Input: 24 two-wire inputs

Software Configuration: Maintained, state change, momentary on/off, momentary on, or momentary off

Jumper Configuration: 8 input segments, dry contact (N) or 24VDC externally powered (R)

Wire Requirement / Maximum Length: 18AWG (Solid or Stranded) / Dry Contact 500'(152m) or externally powered 1,000'(304m)

Analog Input: 6 three-wire 0-5VDC inputs

Power Out: 5VDC, 50mA total

Wire Requirement / Maximum Length: 18AWG (Solid or Stranded) / 250'(76m)

BAS Network Specifications

BACnet MS/TP

Baud Rate: DIP switch selectable 9.6K, 19.2K, 38.4K, or 76.8K

Device Profile: BACnet Advance Application Controller (AAC)

Address Range: 1 – 99 selectable with rotary dials

Unit Load: Full unit load, 32 devices per MS/TP segment

Topology: RS-485, half duplex, daisy chain wiring

Wire Requirement / Maximum Length: CL3P, 22AWG, 2 conductor, shielded, low cap / 4000'(1216m)

Points: See Integration Guide and PIC Statement

See Automated Logic Corporation's *ARC156 Wiring Technical Instructions* for the latest BACnet ARCnet specifications.

DDN Network Specifications

Compatible with CTS-DDN and DDN devices. See data sheet for details.

Transformer Specifications

Type: 30VA Inherently Limited

Primary: Dual Tap 120 or 277VAC +/-10%, 30VA, 50-60 Hz

Secondary: 24VAC +/-10% Inherently Limited

Wire Requirement: 18AWG Minimum (Solid or Stranded)

LTR Specifications

Type:

UL Listed

SPST latching with manual override lever

Electrically operated mechanically held, pulse driven

Short Circuit Current Rating (SCCR) 20,000A @ 277 VAC

Ratings: Tungsten 20A @ 120VAC / Ballast 20A @ 277VAC / Ballast 20A

@ 347VAC / Resistive 20A @ 277VAC / Resistive 20A @ 347VAC

Load Terminal: Universal screw terminal, box type clamp

Terminal Capacity (per side): (2) 14-10AWG or (1) 8AWG (Solid or Stranded copper wire)

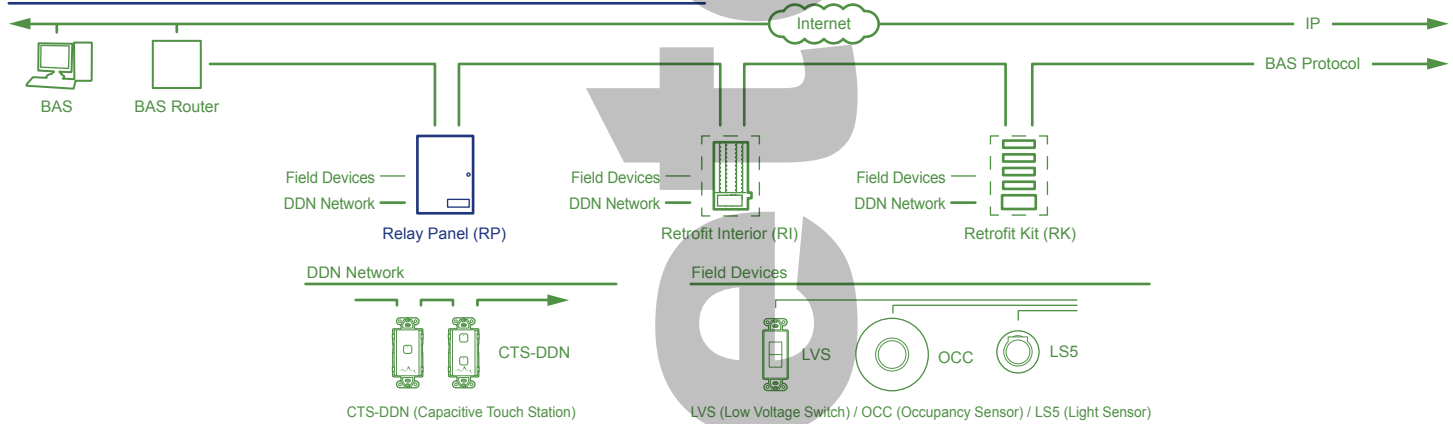


Relay Panel 08

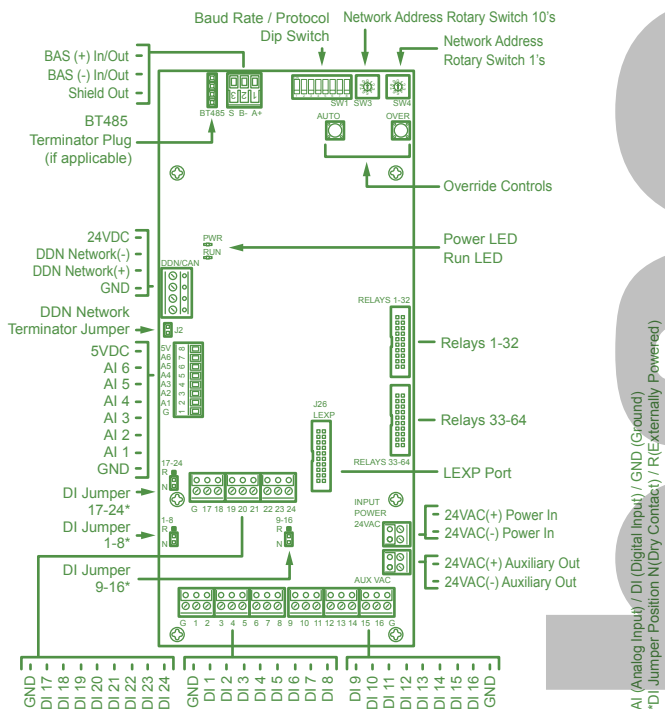
www.BRTint.com : 800-241-9173 Blue Ridge Technologies® © 2016 Blue Ridge Technologies International, LLC All Rights Reserved. LC-RP08-DS-V14.02

Data Sheet

General Architecture



Controller Terminations



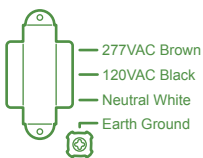
Ordering Information

LC08P - XX - XX

Actual Quantity of Relays Installed
 XX = 04 4 Relays Installed
 08 8 Relays Installed

Special Options
 XX = 00 None

Transformer Terminations



LTR Terminations

