

LUMISYS

BUILT FOR INTEGRATION

L35 SERIES

Lighting Relay Panel

Overview

Leverage the Power of BAS Integration

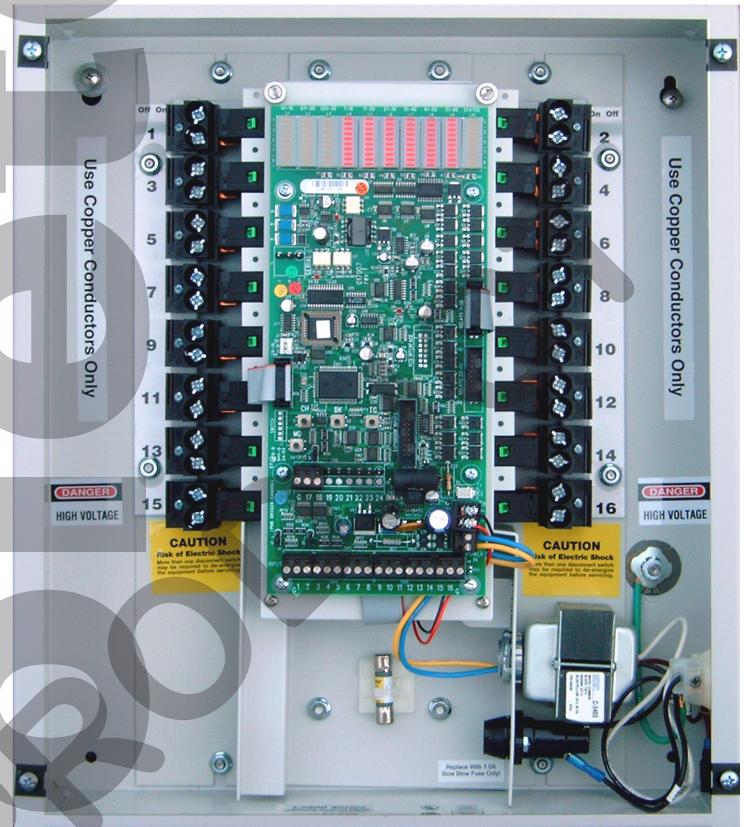
The L35 Series UL Listed, Lighting Control Panel provides the capability to control high voltage lighting circuits via a two wire RS-485 network, occupancy sensors, light level sensors, momentary override switches and other output devices.

The L35 Series Lighting Control Panel integrates with most building automation systems; reducing frustration for the building engineer by eliminating the need to learn to operate and maintain a separate lighting control system.

Green Impact



System	Category	Prereq.	LEED Credit
EB	SS	-	7
EB	EA	1,2	1,6
EB	IEQ	-	6,8
EB	IUOM	-	1
NC	SS	-	8
NC	EA	1,2	1
NC	MR	-	5
NC	EQ	-	6,8
NC	ID	-	1



L3516 interior displayed with cover removed.

Ordering Information

Catalog

Description (Order Method 1 - Factory Assembled)

L35XX

Lumisys L35 Series Lighting Control Panel (Factory Assembled) Exterior, Interior and Trim

Capacity Selection Options: **16, 32, 48** or **60** Relay Capacity Example: L3632

LTR

Lumisys LTR Relays with manual override and large gauge terminal block.

Order the quantity you required but not exceeding the capacity of the panel.

Example: L3532 panel is limited to 32 relays; any additional relays become spares

Catalog

Description (Order Method 2 - Field Assembled)

L35XX-E

Lumisys L35 Series Lighting Control Panel **Enclosure only** - (for rough-ins)

Capacity Selection Options: **16, 32, 48** or **60** Relay Capacity Example: L3648-E

L35XX-I

Lumisys L35 Series Lighting Control Panel **Interior and Trim only**

Capacity Selection Options: **16, 32, 48** or **60** Relay Capacity Example: L3648-I

LTR

Lumisys LTR Relays with manual override and large gauge terminal block.

Order the quantity you required but not exceeding the capacity of the panel.

Example: L3560 panel is limited to 60 relays; any additional relays become spares

Specifications:

Electrical

Programmable Switch Inputs	24 standard (expandable to 120) Dry contact or up to 24VDC maintained or momentary
CPU Power Supply	30VA, 24VAC minimum $\pm 10\%$
Panel Power Supply	115/277 VAC, 30 VA, 60 Hz $\pm 10\%$ (field selectable)
Communications	Network ready, two wire RS-485
Relay Drive Signal	24VDC, 0.024s-1.56s selectable, energize pulse for mechanically latching relays
Output Rating	Lamp Load -20 amp Ballast 277VAC, 20 amp Tungsten 277 VAC, 20 amp Resistive 277 VAC, 347 VAC general (UL Listed Relay)
Output Contacts	SPST latching with manual override lever
Output Terminals	2 large gauge, slotted screw terminals
Output Wire	#14-8 AWG solid or stranded wire, copper only or two 10 AWG solid or stranded in one hole

Mechanical

Enclosure Dimensions	9.75" W x 11.42"H x 3.28"D
Enclosure Type	NEMA 1
Weight (complete)	8 lbs.

Environmental

Operating Temperature	32° to 125° F (0° to 50° C)
Operating Humidity	20% - 95%RH, non-condensing
System Certification	Underwriters Laboratories UL 916, CEC Title 24, FCC Part 15 compliant, NYC approved #37908

Compatibility Matrix

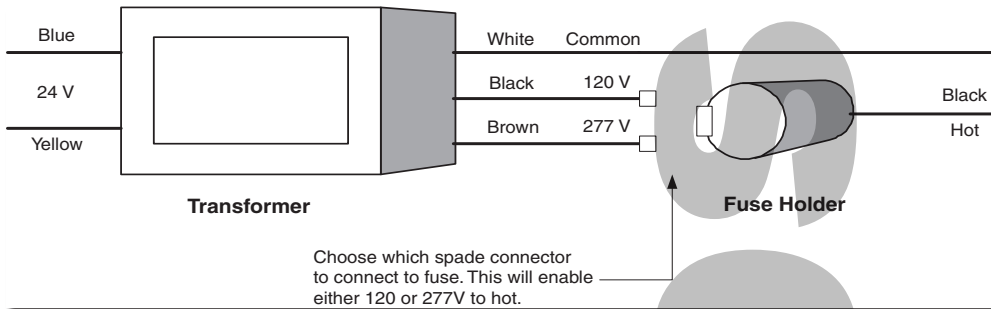
Native Protocol Compatibility:

Metasys N2 direct connect
Apogee Open Processor direct connect

Compatibility via Lumisys E-LINK

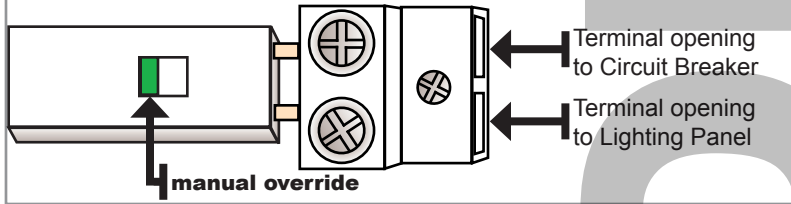
BACnet IP	Modbus ASCII
BACnet Ethernet	Modbus RTU
BACnet ARCnet	Modbus TCP

Wiring



Lumisys LTR Relay

Featuring manual override and large gauge terminal block capable of accommodating #14-8 AWG or two 10 AWG wires in each terminal opening.



L35 Latching Contactor

