

MOUNTING OPTIONS

IR-TEC's TRANS sensor family is a group of sensors built with cylindrical style housing for screw nut assembly with OEM lighting fixture through a round hole or various mounting options.

Code	Mounting Option	Mounting Bracket
F	Fixture Integrated	---
W*	Wet Location	---
E	Fixture External	EMB-500
S	Ceiling Surface	SMB-500
P*	IP-66 Fixture External	PMB-500
C	Junction Box	CMB-500
R	Ceiling Recess	RMB-500

*Available for IP-66 fixture integration



Mount



T5

F Fixture Integrated



CMB-500

C Junction Box



SMB-500

S Ceiling Surface



RMB-500

R Ceiling Recess



T5

W Wet Location



EMB-500

E Fixture External



PMB-500

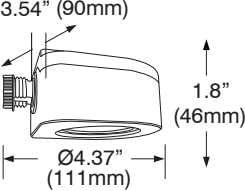
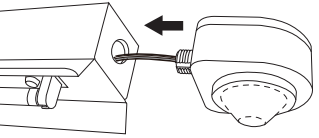
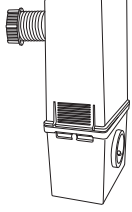
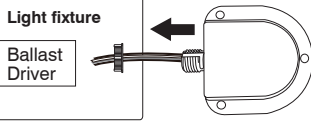
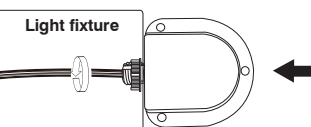
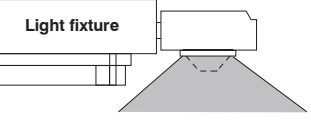
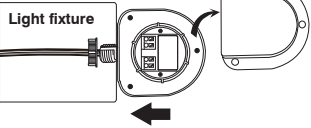
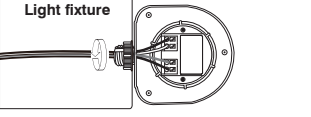
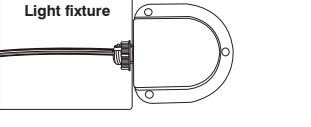
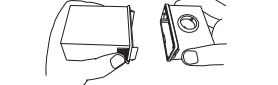
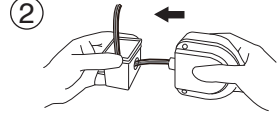

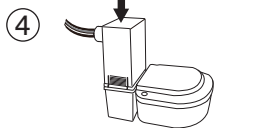
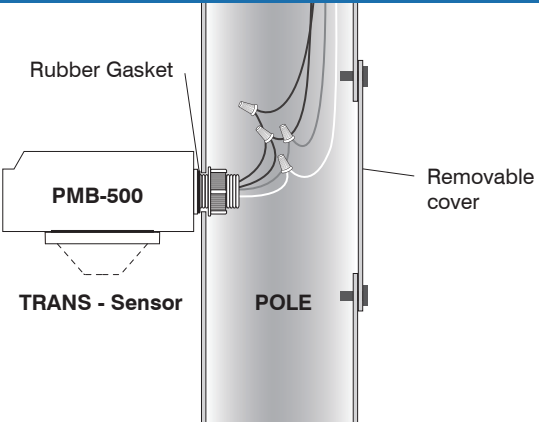
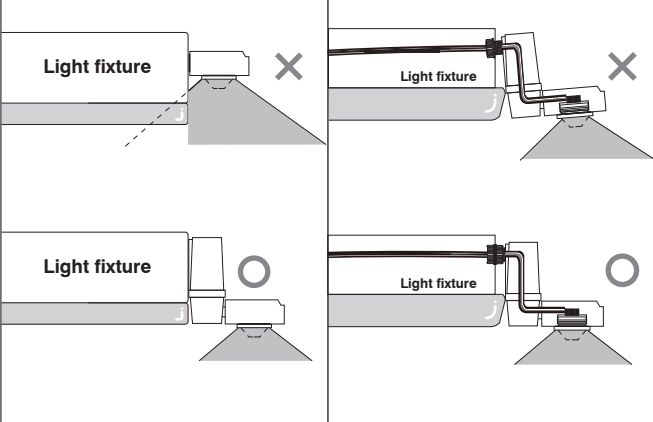
P IP66 Fixture External



EMA-500

Extension Mounting Adaptor

<p>F Fixture Integrated</p>	<p>W Wet Location</p>	<p>S SMB-500</p>
<p>1 Sensor assembly hole on the fixture</p>	<p>1 Mounting base</p>	
<p>2 Sensor assembly</p> <p>1.57" (40mm)</p> <p>For wet location fixture integration, ensure the rubber gasket is placed in between the fixture enclosure and sensor unit with lens look down.</p> <p>Tighten the plastic nut with recommended torque 0.3 lb-ft.</p>	<p>2</p> <p>Assemble T5 sensor with front cover, Tighten the plastic nut with recommended torque 0.3 lb-ft.</p>	
<p>3</p> <p>Light fixture</p>	<p>3</p> <p>① Mount the base</p> <p>② Aim the mark and rotate the sensor to click</p> <p>4</p> <p>To remove the sensor from base, insert a blade screwdriver into slot, and rotate in counterclockwise.</p>	

<p>E/P EMB-500 PMB-500</p> 	<p>1</p> <p>Fixture integration via 1/2" knockout</p> 	 <p>The EMA-500 is an Extension Mounting Adaptor for T5 sensor mount with EMB-500. For lighting fixture with thicker body or wider enclosure, the EMA-500 can be used to lower the sensor position to prevent sensor coverage being blocked.</p> <p>EMA-500</p>
<p>Sensor with wire leads</p> <p>2</p> <p>1 Assemble the sensor with fixture</p>  <p>2 Tighten the nut</p>  	<p>Sensor with terminal block</p> <p>2</p> <p>1 Assemble with fixture with top cover removed</p>  <p>2 Tighten the screw nut connect wires to the sensor</p>  <p>3 Restore top cover and tighten the screws.</p> 	<p>Assemble with EMB-500</p> <p>1</p> <p>1 Separate the adaptor</p>  <p>2</p>  <p>3 Click!</p>  <p>4</p> 
<p>For IP-66 fixture integration with PMB-500, ensure the rubber gasket is placed in between the fixture enclosure and sensor unit. Insert the rubber plugs to seal the screw holes.</p>		
<p style="text-align: center;">POLE MOUNT</p>		
 <p>Rubber Gasket</p> <p>PMB-500</p> <p>TRANS - Sensor</p> <p>POLE</p> <p>Removable cover</p>  <p>Light fixture</p> <p>Light fixture</p> <p>Light fixture</p> <p>Light fixture</p>		

