

Hardware Installation and Setup Instructions



Table of Contents







Overview	
Document	3
Component	3
Assembly	3
Preparation	
Door Removal	4
Relay Cover Removal	4
Interior Removal	4
Enclosure	5
Mounting	5
Terminations	
Line Voltage	6
Low Voltage	6
Controller Setup	9
Optional Equipment	10

Visit www.BRTint.com/tandc.html for Terms and Conditions of Sale

Attention

This section serves as a notice of the immediate or potential dangers involved when working with the equipment described throughout this manual. Any person involved in installation, maintenance, or service of the equipment should first carefully examine the equipment and read the instructions contained in this manual to ensure that personal and/or equipment injury is avoided.

The following safety messages appear throughout this manual to alert of immediate or potential danger to life as well as property.

	NOTE : Indicates an important note.
	TIP : Indicates a helpful tip or trick.
	SAFETY REMINDER : Applicable safety instructions will be included with this symbol.
	DANGER : Indicates an immediately hazardous situation which, if not avoided, will result in serious injury or death.
	WARNING : Indicates a potentially hazardous situation which, if not avoided, may result in serious injury or death.
	CAUTION : Indicates a potentially hazardous situation which, if not avoided, may result in minor or moderate injury.

Disclaimer

This equipment has been tested and found to comply with the limits for a Class A digital device, pursuant to part 15 of the FCC Rules. These limits are designated to provide reasonable protection against harmful interference when the equipment is operated in a commercial environment. This equipment generates, uses, and can radiate radio frequency energy and, if not installed and used in accordance with the instruction manual, may cause harmful interference to radio communications. Operation of this equipment in a residential area is likely to cause harmful interference, in which case the user will be required to correct the interference at his own expense.

Instructions contained in this user's guide should be performed only by qualified persons in accordance with local and national codes. Blue Ridge Technologies International, LLC and its affiliates assume no responsibility for any consequences related to the improper use of this manual.

Overview : Document

This document provides mounting and connection instructions for the following Blue Ridge Technologies Relay Panel (RP) products :
RP08

RP enclosures are Type 1 rated and must be mounted in a dry / indoor environment.

Sections of this Install Guide apply to optional equipment and may not be applicable. Siemens' P1 and Automated Logic Corporation's BACnet ARCnet protocols are only available to authorized integrators.

For RP integration with a Building Automation System (BAS) as well as software configuration refer to the Application Guide.

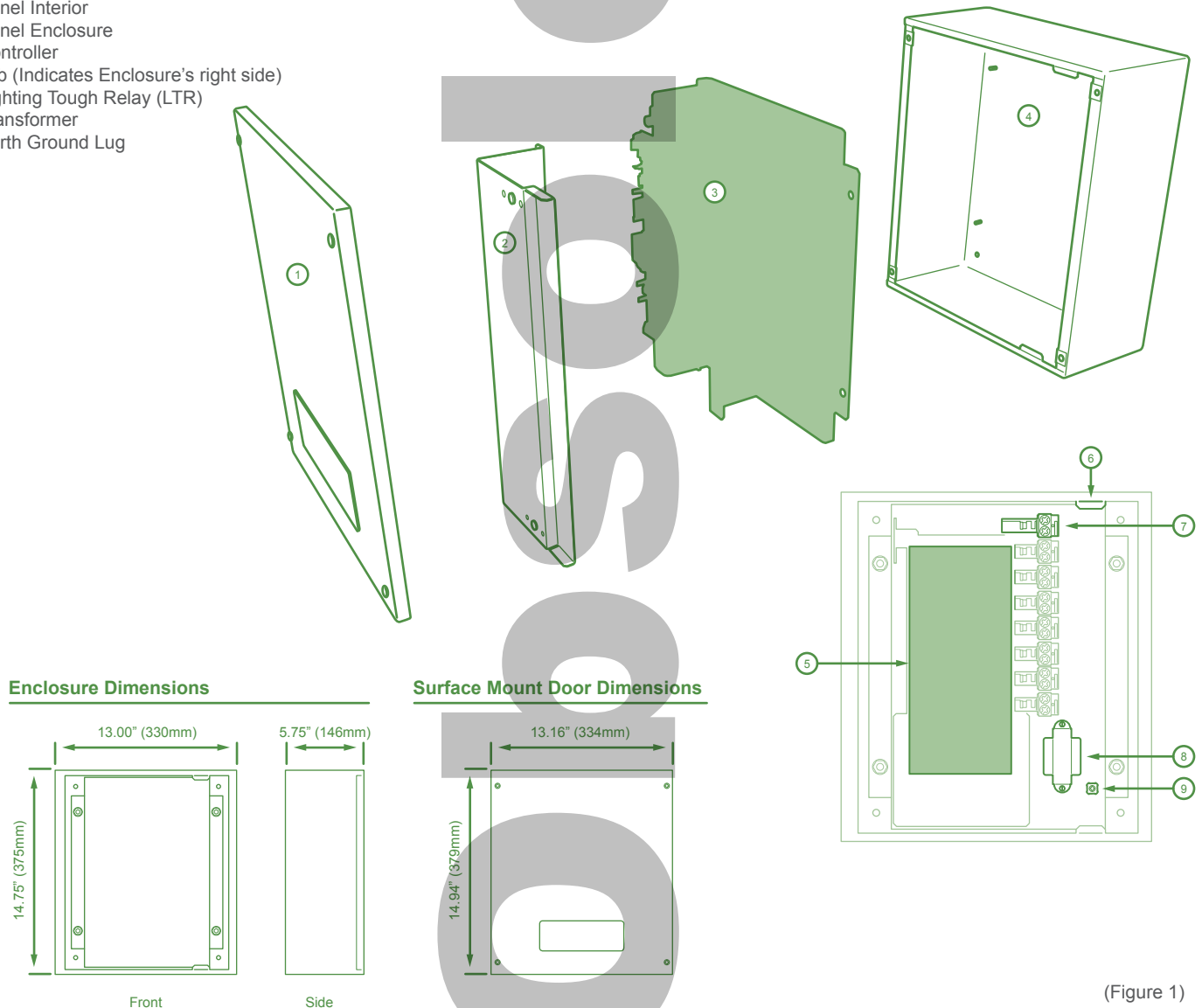
Overview : Component

The RP08 includes the following items :

- 1 - RP08
- 1 - BT485 BAS Network Terminator (BT485 Terminator)

Overview : Assembly

- 1. Panel Door
- 2. Relay Cover
- 3. Panel Interior
- 4. Panel Enclosure
- 5. Controller
- 6. Tab (Indicates Enclosure's right side)
- 7. Lighting Tough Relay (LTR)
- 8. Transformer
- 9. Earth Ground Lug



(Figure 1)



Disconnect line voltage power before performing RP installation.



All circuits must be tested for wiring errors and shorts prior to RP installation.

Before handling any RP components, the technician should be grounded to prevent circuit board damage.

Preparation : Door Removal

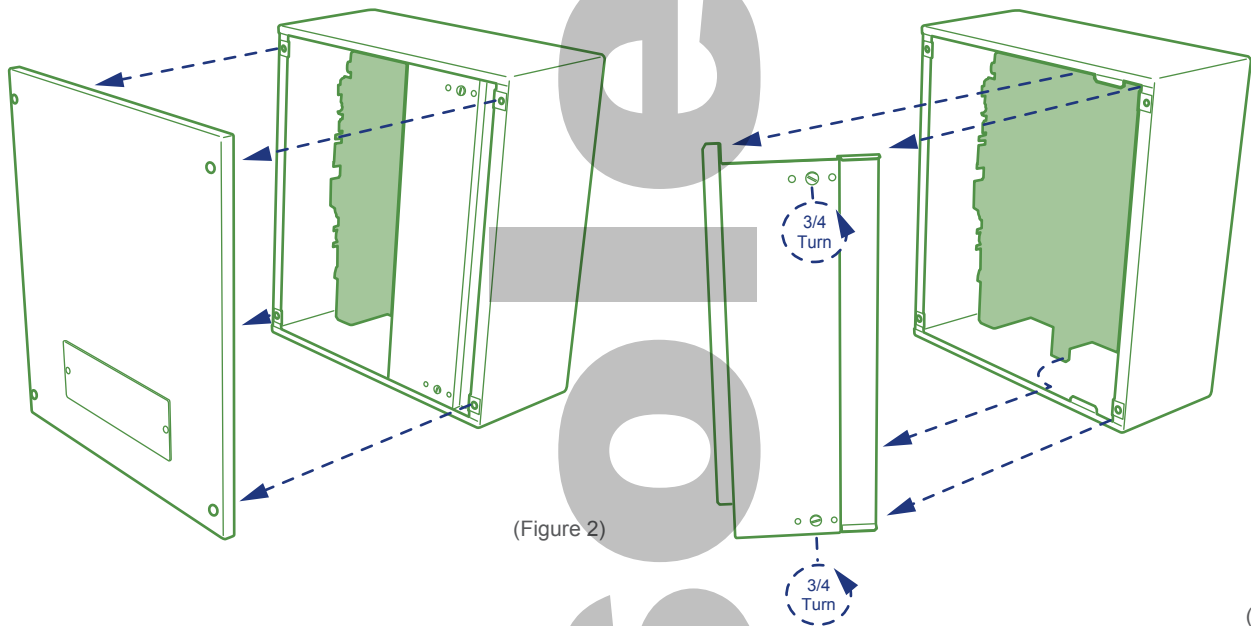
Remove the Panel Door from the Panel Enclosure. (Figure 2)

1. Release fasteners at the corners of the Panel Door. These fasteners are captured. DO NOT remove the fasteners from the Panel Door.
2. Pull Panel Door free of Panel Enclosure.

Preparation : Relay Cover Removal

Remove the Relay Cover from the Panel Enclosure. (Figure 3)

1. Unlock 3/4 turn fasteners located near top and bottom of Relay Cover.
2. Remove Relay Cover by rotating inside edge outward and pulling Relay Cover free.



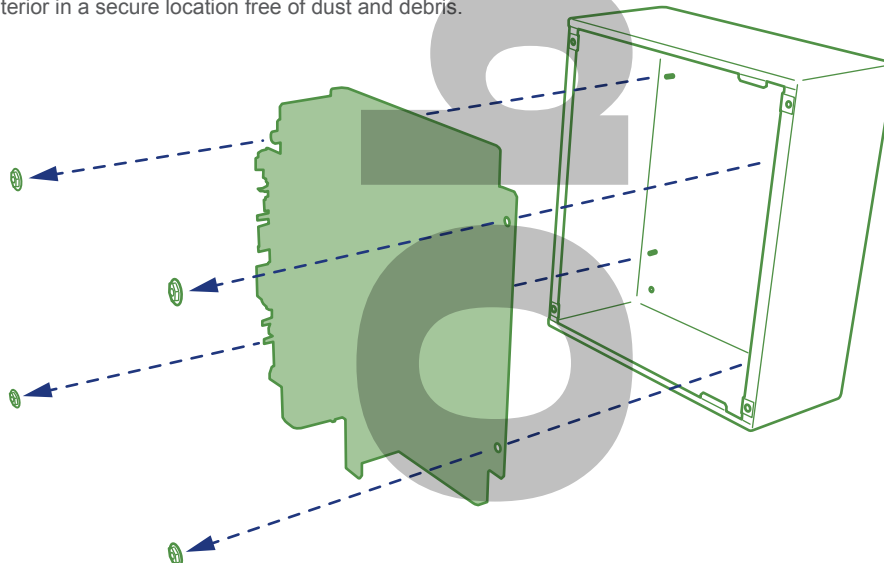
(Figure 2)

(Figure 3)

Preparation : Interior Removal

Remove the Panel Interior from the Panel Enclosure. It is beneficial to mark position of penetrations in the Panel Enclosure prior to removing the Panel Interior. (Figure 4)

1. Unfasten the nuts retaining the Panel Interior.
2. Pull the Panel Interior outward to free it from the Panel Enclosure.
3. Store the Panel Interior in a secure location free of dust and debris.

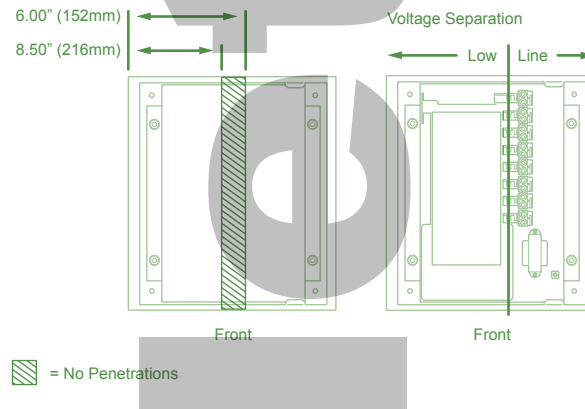


(Figure 4)

Preparation : Enclosure

Prior to mounting the Panel Enclosure make penetrations for all applicable bushings and/or conduit. Ensure sufficient clearance for Panel Enclosure structure and Panel Interior. (Figure 5)

1. Ensure the Panel Enclosure is oriented correctly. Tabs should be located on the Panel Enclosure's right side. (Figure 1)
2. Drill or punch the appropriate hole(s) in the Panel Enclosure for the application.

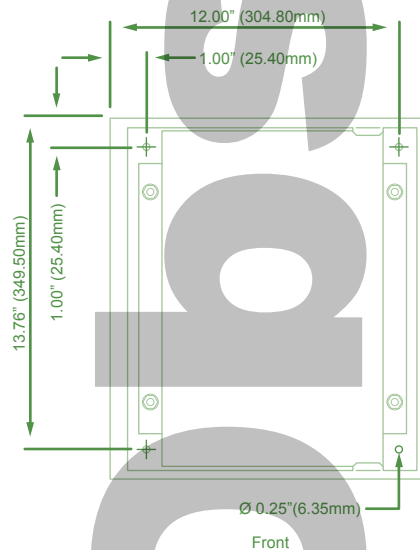


(Figure 5)

Mounting

The Panel Enclosure may now be mounted.

1. Ensure the Panel Enclosure is oriented correctly. Tabs should be located on the Panel Enclosure's right side. (Figure 1)
2. Mark the location of all Panel Enclosure mounting holes to the mounting surface. (Figure 6)
3. Prepare the mounting surface with hardware appropriate to support the panel's weight 20.5 lbs (9.3 kg).
4. Hang Panel Enclosure.
5. Remove dust and debris from Panel Enclosure.
6. Reinstall Panel Interior. DO NOT exceed 40 in-lbs when tightening Panel Interior retention nuts.
7. Install appropriate bushings, conduit, and wire.



(Figure 6)

Terminations : Line Voltage

Complete line voltage terminations. (Figure 7 and 8)

1. Confirm power is disconnected from the panel.
2. Route leads as appropriate.
3. Cut to length and strip as appropriate.
4. Complete Transformer and LTR terminations.
5. Cap unused primary lead from Transformer.
6. Torque each LTR screw terminal to 36 in-lbs.

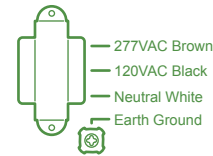
Transformer Specifications

Type: 30VA Inherently Limited
 Primary: Dual Tap 120 or 277VAC +/-10%, 30VA, 50-60 Hz
 Secondary: 24VAC +/-10% Inherently Limited
 Wire Requirement: 18AWG Minimum (Solid or Stranded)

LTR Specifications

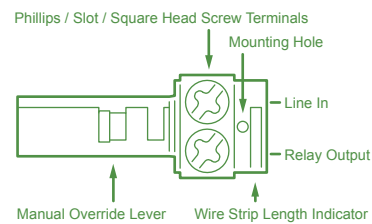
Type:
 UL Listed
 SPST latching with manual override lever
 Electrically operated mechanically held, pulse driven
 Short Circuit Current Rating (SCCR) 30,000A @ 277 VAC
 Ratings: Tungsten 20A @ 120VAC / Ballast 20A @ 277VAC / Ballast 20A @ 347VAC / Resistive 20A @ 277VAC / Resistive 20A @ 347VAC
 Load Terminal: Universal screw terminal, box type clamp
 Terminal Capacity (per side): (2) 14-10AWG or (1) 8AWG (Solid or Stranded copper wire)

Transformer Terminations



(Figure 7)

LTR Terminations



(Figure 8)

Terminations : Low Voltage

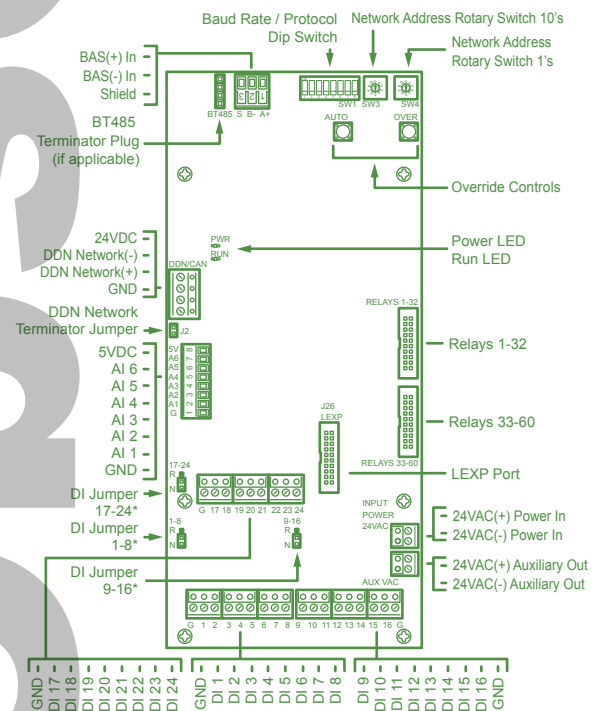
All low voltage leads are terminated on the Controller. Controller screw terminals accept a 0.4 x 2.5mm slot head screw driver. (Figure 9)

1. Confirm power is disconnected from the RP.
2. Route leads.
3. Cut to length and strip as appropriate.
4. Insert stripped lead into screw terminal and tighten screw.
5. Repeat for each lead.

Controller Specifications

Power In: 24VAC +/-10%, 30VA, 50-60 Hz
 Auxiliary Out: 24VAC Full Wave Rectified

Controller Terminations



AI (Analog Input) / DI (Digital Input) / GND (Ground)
 *DI Jumper Position N(Dry Contact) / R(Externally Powered)

(Figure 9)

Terminations : Low Voltage

Digital Input Specifications

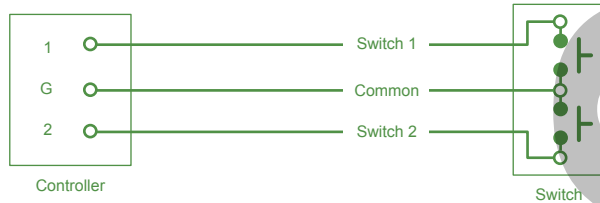
Digital Input: 24 two-wire inputs

Software Configuration: Maintained, state change, momentary on/off, momentary on, or momentary off

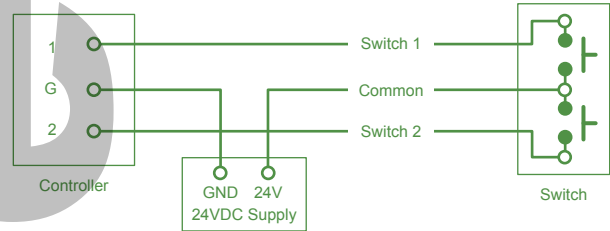
Jumper Configuration: 8 input segments, dry contact (N) or 24VDC externally powered (R)

Wire Requirement / Maximum Length: 18AWG (Solid or Stranded) / Dry Contact 500'(152m) or externally powered 1,000'(304m)

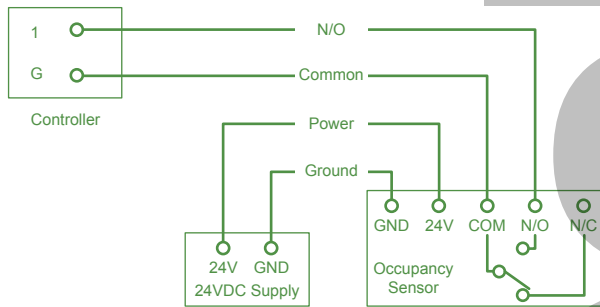
Digital Input: Two Button Low Voltage Switch (Dry Contact)



Digital Input: Two Button Low Voltage Switch (Externally Powered)



Digital Input: 4-Wire 24VDC Occupancy Sensor (Dry Contact)



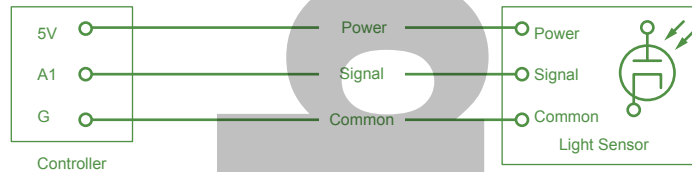
(Figure 10)

Analog Input Specifications

Analog Input: 6 three-wire 0-5VDC inputs

Wire Requirement / Maximum Length: 18AWG (Solid or Stranded) / 250'(76m)

Analog Input: 5VDC Light Sensor



(Figure 11)

Terminations : Low Voltage

BAS Network Specifications

Topology: RS-485, 3 conductor (+, -, and shield), daisy chain wiring (no stars or t-taps)

Wire Requirement / Maximum Length: Belden 8760 / 4000'(1216m)

BACnet MS/TP

Baud Rate: DIP switch selectable 9.6K, 19.2K, 38.4K, or 76.8K

Device Profile: BACnet Advance Application Controller (AAC)

Address Range: 1 – 99 selectable with rotary dials

Unit Load: Full unit load, 32 devices per MS/TP segment

Points: See Application Guide and PIC Statement

N2

Baud Rate: DIP switch selectable 9.6K

Address Range: 1 – 255 selectable with rotary dials and DIP switch

P1

Baud Rate: DIP switch selectable 4.8K, 9.6K, 19.2K, or 38.4K

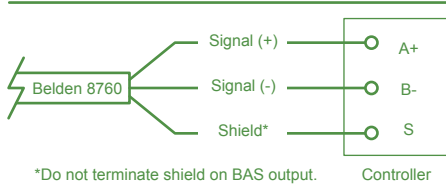
Address Range: 1 – 99 selectable with rotary dials

See Automated Logic Corporation's *ARC156 Wiring Technical Instructions* for the latest BACnet ARCnet specifications.

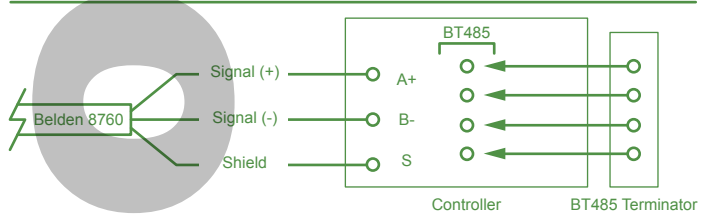
Install BT485 Terminator if RP is operated as end of line device (first or last device on network). BT485 Terminator requires no specific orientation in relation to the terminal.

See Controller Setup for Address and Protocol settings.

BAS Network (Input and Output)



BAS Network (End-of-line Device)



(Figure 12)

DDN Network Specifications

Protocol: Digital Device Network (DDN)

Address Range: 1-60, DIP switch selectable

Topology: Daisy Chain Wiring (no stars or t-taps)

Wire Requirement: CL3P, 22AWG, 4 conductor, Unshielded

Maximum Stations (w/o external power): 10 CTS-DDN

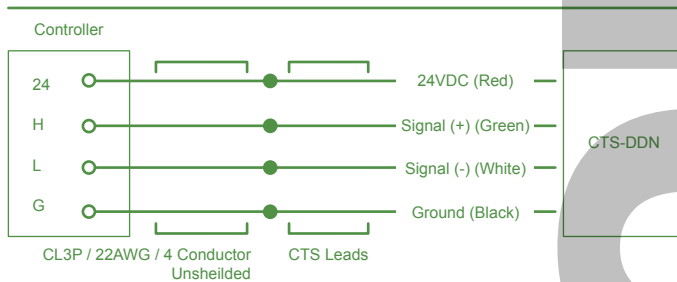
Maximum Length (w/o external power): 500'(152m)

Maximum Stations (w/ external power): 60 one-button, 30 two-button, or a combination for 60 buttons total

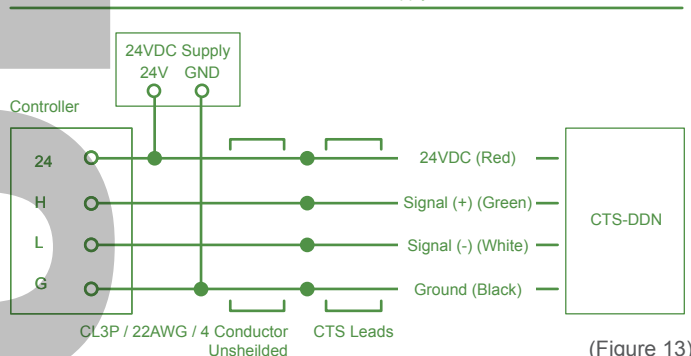
Maximum Length (w/ external power): 2,000'(610m)

Power / Draw: 24VDC / 15mA per CTS-DDN

DDN Network: CTS-DDN



DDN Network: CTS-DDN w/24VDC External Power Supply



(Figure 13)

Controller Setup

Controller configuration and RP testing are the final steps of installation. (Figure 14)

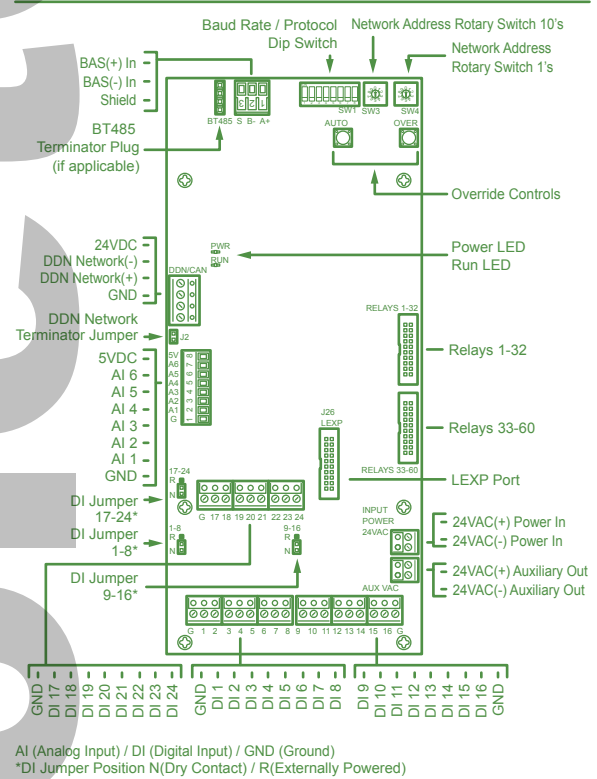
Setup

1. Confirm power is disconnected from the Controller and the Power / Run LED's are not illuminated.
2. Set the DDN Network Terminator Jumper if utilizing DDN Network. Two devices on the DDN Network should be set for network termination. If the Controller is the end-of-line, terminate the Controller and the device at the opposite end of the network. If the Controller is positioned at a mid-point on the network, terminate devices at the opposite ends of the network either side of the Controller.
3. Set the Digital Input (DI) Jumpers.
4. Set the Programming / Protocol Dip Switch for protocol and baud rate.
5. Set the Network Address.

Testing

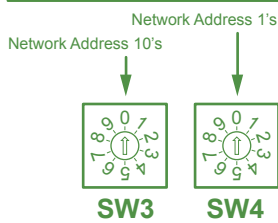
1. Connect power to the Controller. Wait 10 seconds for power up.
2. Confirm normal LED operation.
Power LED: Solid illumination
Run LED: Continuous blinking
3. Press and release the Over Button. Confirm the Relays turn off.
4. Press and release the Over Button again. Confirm the Relays turn on.
5. Press and release the Auto Button to exit override mode.
6. Test procedure complete.

Controller Terminations



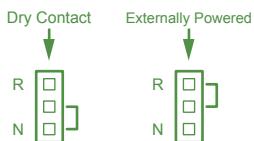
AI (Analog Input) / DI (Digital Input) / GND (Ground)
*DI Jumper Position N(Dry Contact) / R(Externally Powered)

Network Address

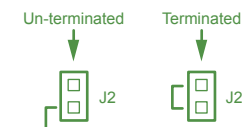


See right for N2 addresses 100-255

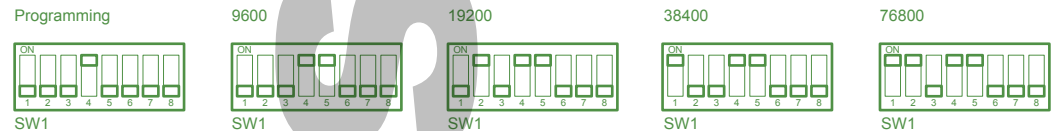
Digital Input (DI) Jumper



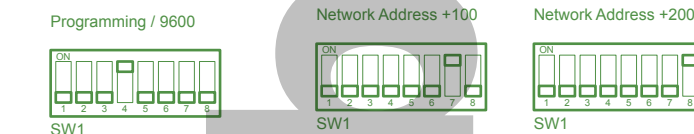
DDN Network Terminator Jumper



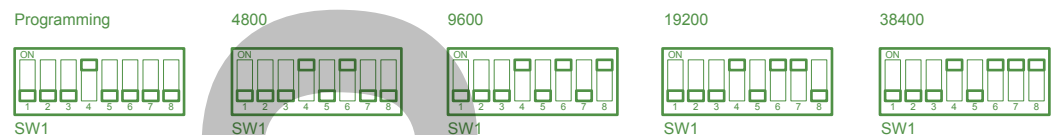
Baud Rate / Protocol Dip Switch: BACnet MS/TP



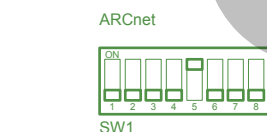
Baud Rate / Protocol Dip Switch: N2



Baud Rate / Protocol Dip Switch: P1



Baud Rate / Protocol Dip Switch: BACnet ARCnet



(Figure 14)

Optional Equipment

RP may be equipped with the following optional equipment.

347VAC Transformer (Replaces Standard Transformer)

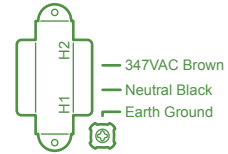
Type: UL Listed Single Tap

Primary: 347VAC, 50VA, 60 Hz

Secondary: 24VAC +/-10% Inherently Limited

Wire Requirement: 18AWG Minimum (Solid or Stranded)

347 Transformer Terminations



(Figure 15)