

Overview

Low Voltage Switch (LVS) provide local occupant overrides for all Unified Lighting Control platforms. LVS are available in one or two button configuration. The LVS interface features audible click indication of button press as well as removable button caps for labeling. LVS fit decorator style wall plates and are gang-able with other devices.

Features

- Compatible with all platforms
- Fits decorator style wall plates
- Gang-able with other decorator style devices
- 1,000,000 operations mechanical life

General Specifications

Construction: White polymer face / mounting frame
 Dimensions: 4.06"(103mm)H x 1.50"(38mm)W x 1.00"(25mm)D
 Weight: 1oz (30g)
 Mounting: Standard single gang or multi-gang switch box, (2) #6/32 screws (included), and Decorator style wall plate (not included)
 Operating Environment: 14-160°F (-10-71°C), 20-95%RH, non-condensing

Durability

Mechanical Life Operations: 1,000,000

Warranty

Two (2) year limited manufacturer warranty from date of shipment (extended warranty optional)

Electrical Specifications

Maximum Voltage: 24VDC
 Connection: 3 Screw Terminals
 Switch 1, Switch 2, and Common
 Wire Requirement: 18AWG (Solid or Stranded)

User Interface

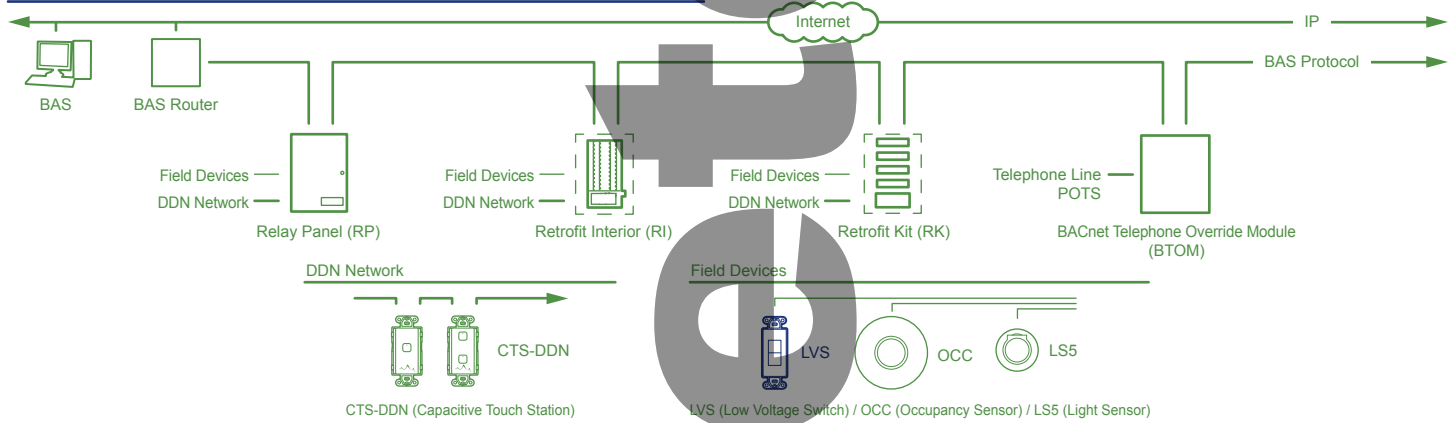
Button Configuration: 1 or 2 square push-buttons 0.6"(15mm)
 Button Operation: Momentary On/Off
 Audible Indication: Buttons emit click on press and release
 Labeling: Remove button cap to reveal a 0.5"(13mm) square label surface

Low Voltage Switch

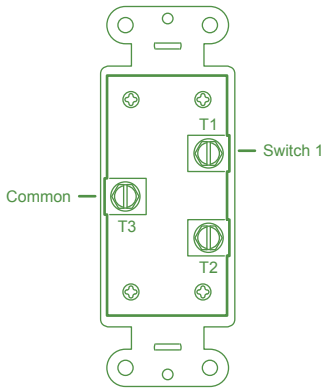
www.BRTint.com : 800-241-9173 Blue Ridge Technologies® © 2013 Blue Ridge Technologies International, LLC All Rights Reserved. BRT-LVS-DS-V12.00

Data Sheet : Catalog Page 33

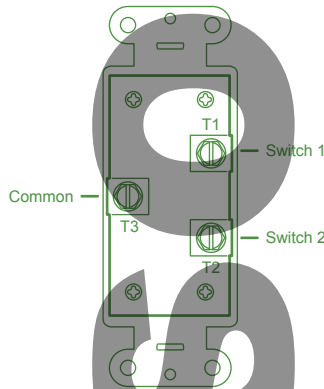
General Architecture



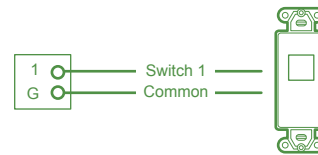
1-Button Terminations



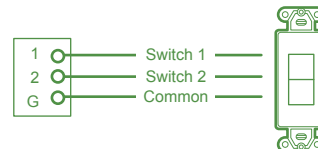
2-Button Terminations



1-Button to Controller



2-Button to Controller



Ordering Information

Part Number	Description
BRLV-SW1	Low Voltage Switch, 1-Button, White
BRLV-SW2	Low Voltage Switch, 2-Button, White

Custom colors including Black, Gray, and Light Almond are available contact Blue Ridge Technologies for details.