

Overview

Capacitive Touch Stations (CTS) provide local occupant interface on Zone Control's (ZC) Satellite / Station Network. CTS are available in three versions; Channel On/Off, Channel Raise/Lower, and Preset, with several button layouts. The CTS interface features LED and audible chirp indication as well as schedule transition warnings. CTS fit decorator style wall plates, are gang-able with other devices, and are available in four standard colors.

Features

Compatible with free topology Satellite / Station Network on ZC
 Available Colors: Black, Gray, Light Almond, or White
 Fits decorator style wall plates
 Gang-able with other decorator style devices
 Cleaning mode for wipe down without disturbing lights
 Extended life cycle

- No moving switch parts
- LED indicator

General Specifications

Construction: Acrylic face, ABS/polycarbonate back box / mounting frame
 Dimensions:
 Station: 4.13"(105mm)H x 1.75"(44mm)W x 1.13"(29mm)D
 Capacitive Touch Surface: 0.5"(13mm)H x 0.5"(13mm)W per button
 Weight: 3oz (85g)
 Mounting: Standard single gang or multi-gang switch box, (2) #6/32 screws (included), and Decorator style wall plate (not included)
 Operating Environment: 32-125°F (0-50°C), 20-95%RH, non-condensing

Warranty

Two (2) year limited manufacturer warranty from date of shipment (extended warranty optional)

Low Voltage Specification

Power: 24VDC from ZC and SC
 Power Draw: 15mA per CTS

Satellite / Station Network Specifications

Protocol: CAN-bus
 Maximum Stations: 6 on ZC Standard, up to 12 on ZC Extended (requires 1 SC minimum)
 Address: DIP switch selectable
 Topology: Free topology, stars and t-taps allowed
 Wire Requirement / Maximum Length: CL3P, 22AWG, 4 conductor, Unshielded / 500'(152m)
 Network Termination: DIP switch

Station Specifications

Button Layout
 Channel On/Off: 1, 2, 3, 4, and 6
 Channel Raise/Lower: 3 (raise, lower, and On/Off), 6 (2 raise, 2 lower, and 2 On/Off)
 Preset: 6 (preset 1, 2, 3, raise, lower, and On/Off), 6 (preset 1, 2, 3, 4, 5, and 6)

Button Operation
 On/Off and Preset: Momentary On/Off
 Raise/Lower: Press and hold for raise or lower

Indicator Operation (On/Off and Preset Buttons)
 Audible Indication: Chirp when button is pressed
 LED Status Indication: LED is on when associated lighting is on. LED is dimly lit when associated lighting is off providing locator light.
 LED Schedule Transition Warning: Rapid blinking

Button Configuration
 All button-channel links are stored in the ZC Configuration Database.
 Default: Buttons have a default setting enabling basic function before system configuration.
 Channel On/Off: Each button is linked to a Channel
 Channel Raise/Lower: Each set of buttons is linked to a Channel
 Preset: Each button is linked to Preset

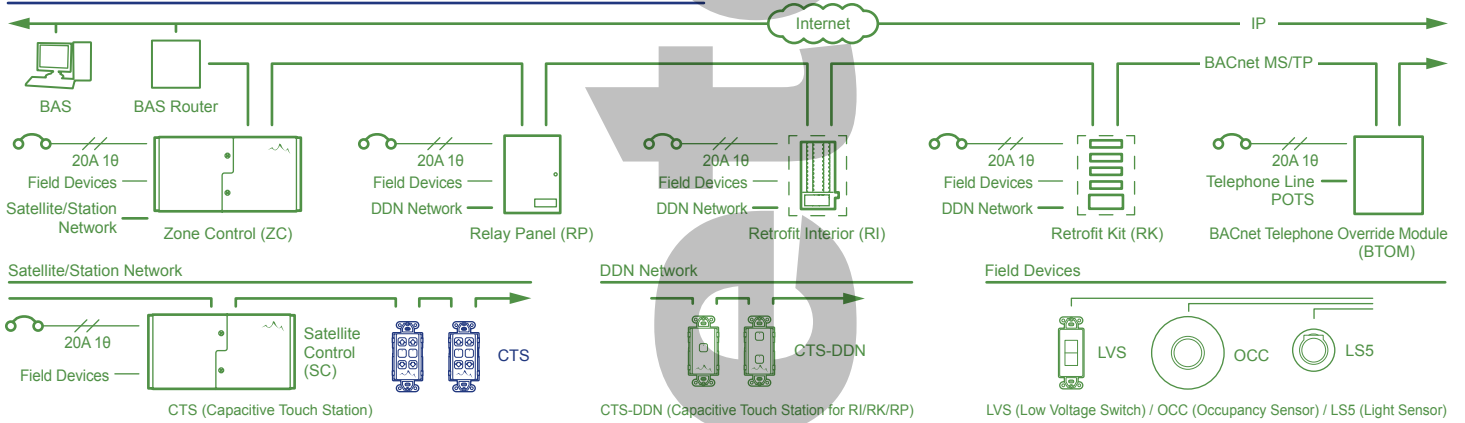
3-way / 4-way Operation: Requires CTS of same type and button layout. Accomplished by using same network address (may require additional power).

Capacitive Touch Station

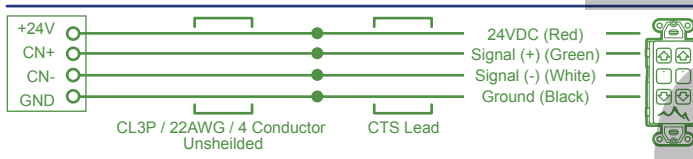
www.BRTint.com : 800-241-9173 Blue Ridge Technologies® © 2012 Blue Ridge Technologies International, LLC All Rights Reserved. BRT-CTS-DS-V11.02

Data Sheet : Catalog Page 37

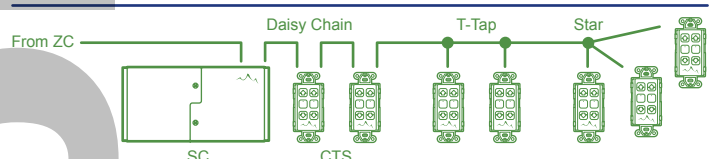
General Architecture



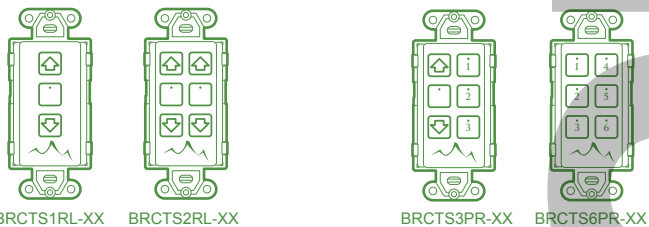
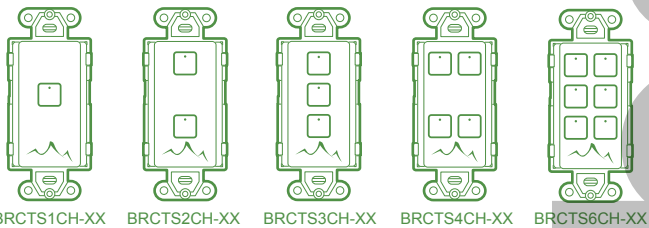
SC / ZC Terminations



Satellite/Station Network Structure



Button Layout Options



Ordering Information

BRCTS X XX - XX

Channel or Preset Quantity

- X = 1 1 Channel (On-Off) or 1 Channel (Raise-Lower)
- 2 2 Channels (On-Off) or 2 Channels (Raise-Lower)
- 3 3 Channels (On-Off) or 3 Presets
- 4 4 Channels (On-Off)
- 6 6 Channels (On-Off) or 6 Presets

Station Configuration

- XX = CH Channel On-Off Station
- RL Raise-Lower Station
- PR Preset Station

Color Options

- XX = WH White
- GR Grey
- BL Black
- LA Light Almond