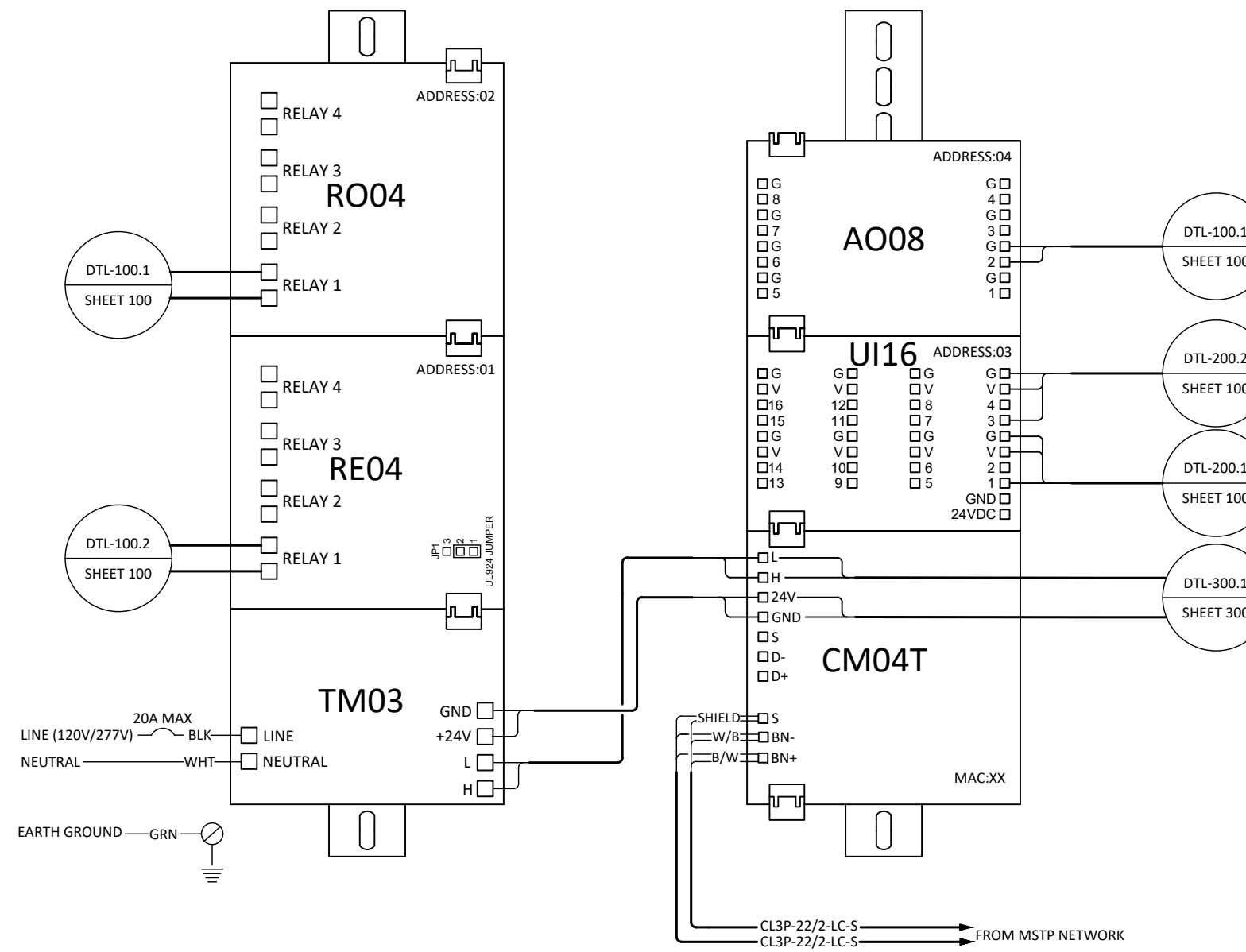


MODULE: RO04		ADDRESS: 02		
ZONE	CHANNEL	OUTPUT	DESCRIPTION	PANEL/CIRCUIT
		RO-02-04		
		RO-02-03		
		RO-02-02		
1	a	RO-02-01		

MODULE: RE04		ADDRESS: 01		
ZONE	CHANNEL	OUTPUT	DESCRIPTION	PANEL/CIRCUIT
		RE-01-04		
		RE-01-03		
		RE-01-02		
1	a	RE-01-01	Emergency	

MODULE: AO08		ADDRESS: 04		
ZONE	CHANNEL	OUTPUT	DESCRIPTION	PANEL/CIRCUIT
		AO-04-08		
		AO-04-07		
		AO-04-06		
		AO-04-05		
		AO-04-04		
		AO-04-03		
1	a	AO-04-02		
		AO-04-01		

MODULE: UI16		ADDRESS: 03		
ZONE	CHANNEL	OUTPUT	DESCRIPTION	PANEL/CIRCUIT
		UI-03-16		
		UI-03-15		
		UI-03-14		
		UI-03-13		
		UI-03-12		
		UI-03-11		
		UI-03-10		
		UI-03-09		
		UI-03-08		
		UI-03-07		
		UI-03-06		
		UI-03-05		
1	a	UI-03-03	Light Sensor	BPD-500SS
		UI-03-02		
1	a	UI-03-01	Occupancy Sensor	BOS-515NSA



NOTE: For wire requirements see Cabling Data Sheet.

ENGINEERING STANDARDS
TZW-CP0331C0-00110-00101

Typical Zone Wiring

Rev: 1.00	Type: Wiring Typical	Date: 03-12-2020	Job #:
 BLUE RIDGE TECHNOLOGIES™ UNIFIED LIGHTING CONTROL			Engineered: WCD
			Drawn: BBL
			Checked: WCD
			Page: 1 of 1