

Tech Note (032114_05)

Date: March 21, 2014

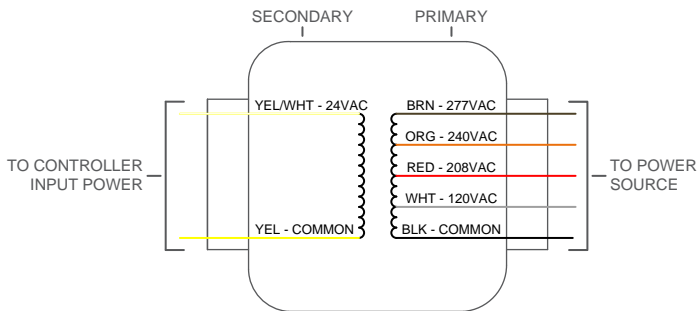
Product: Retrofit Kits (RK)

Subject: Transformer Type

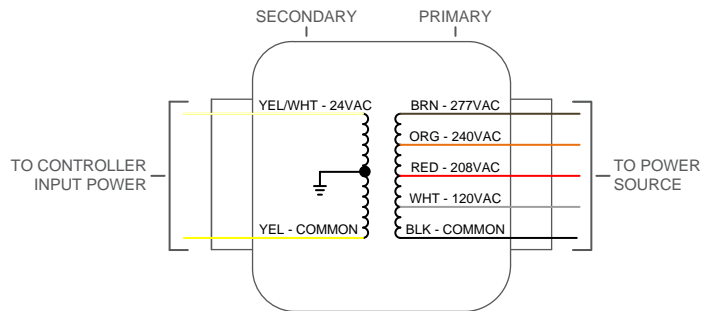
Note: Use of Isolated Transformer only

Caution: Non-Isolated transformer may damage the Controller Board.

CORRECT:



INCORRECT:



Recommended Replacement: RIB Transformer (TR40VA004)