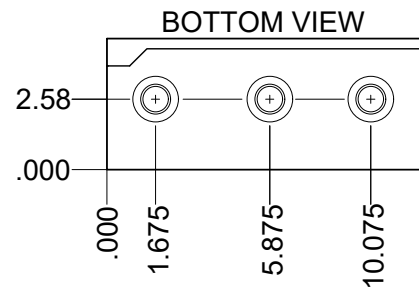
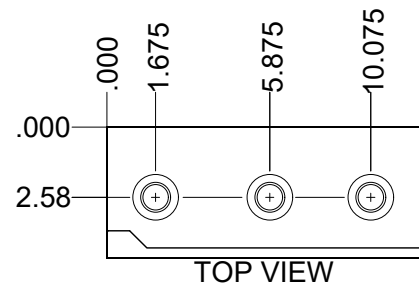
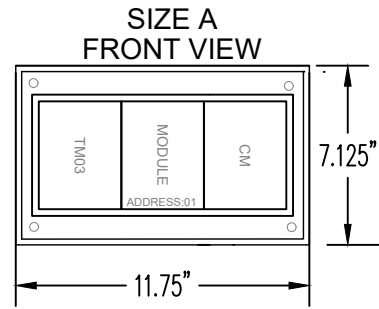
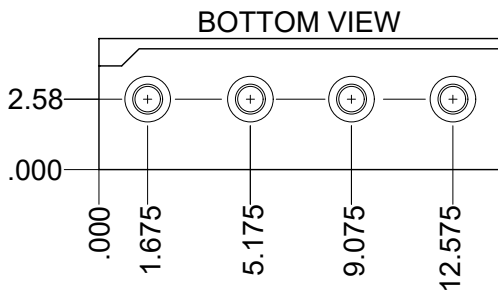
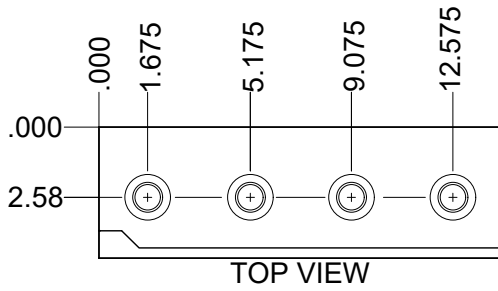
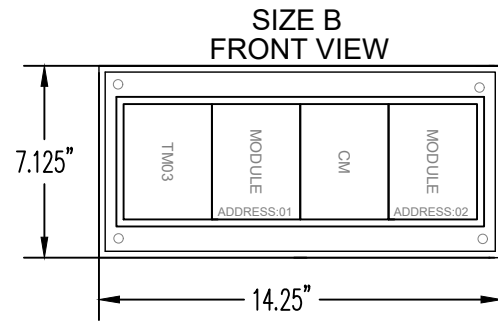


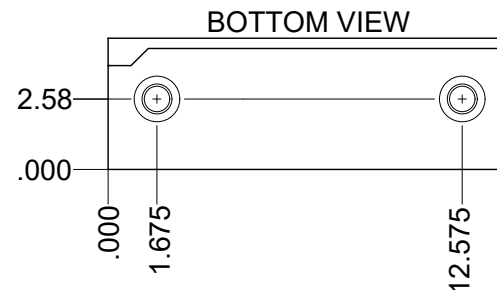
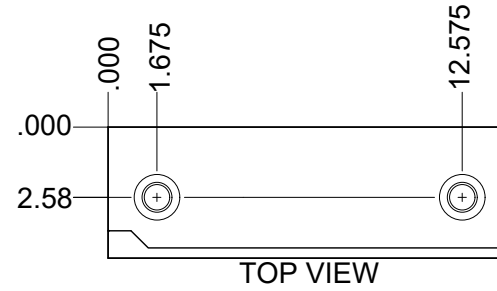
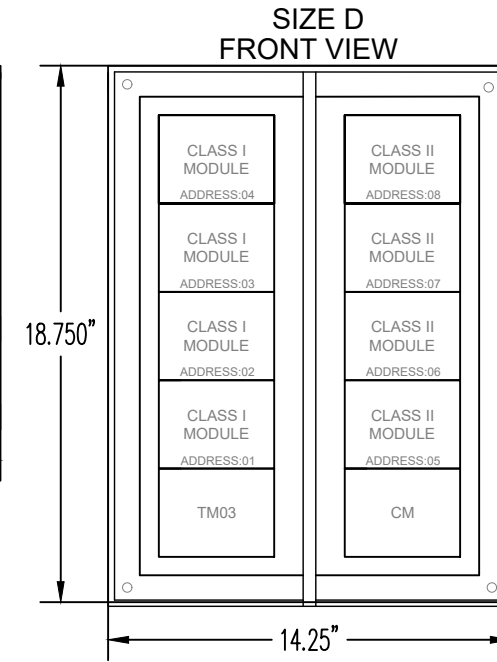
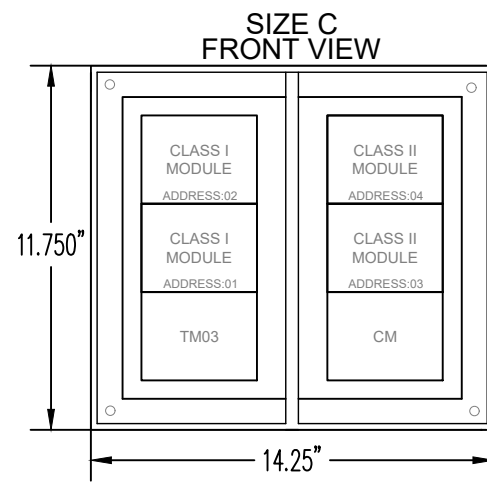
ENCL  
DTL - 1



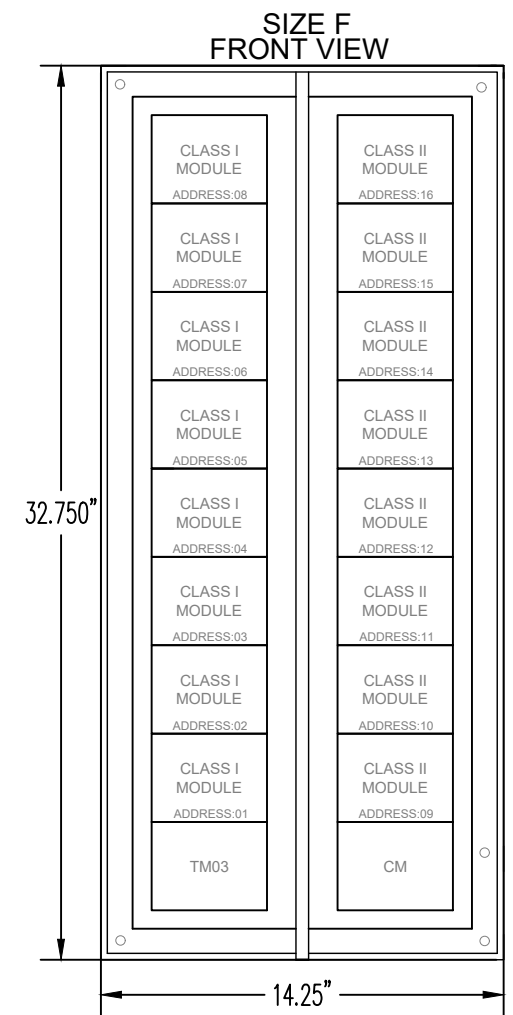
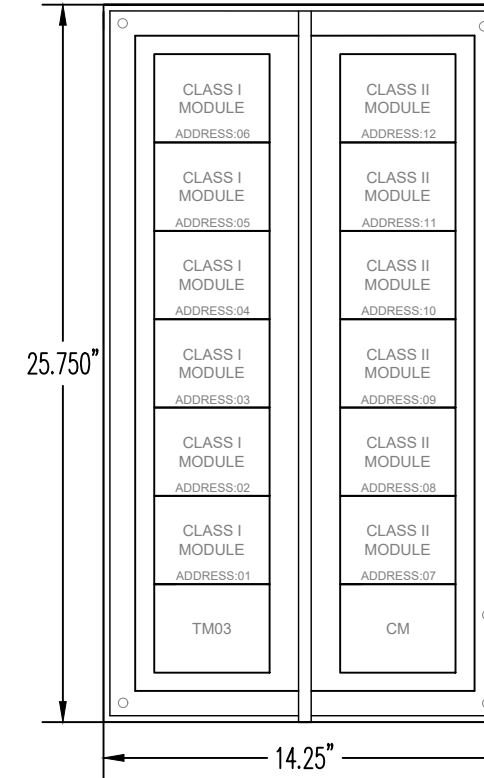
ENCL  
DTL - 2



ENCL  
DTL - 3



SIZE E  
FRONT VIEW



- NOTES:**  
 1. ENCLOSURES C-F HAVE THE SAME CONDUIT HOLE LAYOUT  
 2. KNOCKOUT HOLE SIZES ARE 2", 1-1/4", 3/4", & 1/2".

Enclosure Detail ENCLDTL_01.02			
Engineering Standards			
Rev: 1.02	Type: DETAIL	Date: 08/11/2020	Units: INCHES
 UNIFIED LIGHTING CONTROL			Engineered: BBL
			Drawn: EFM
			Checked: WCD
			Page: 1 of 1