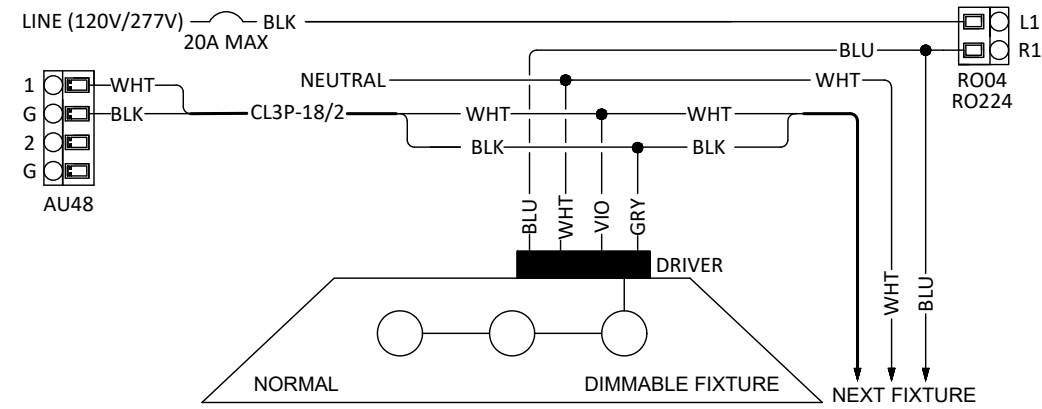
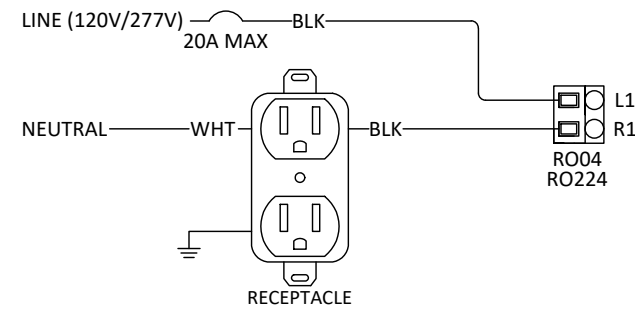


DTL-100.1



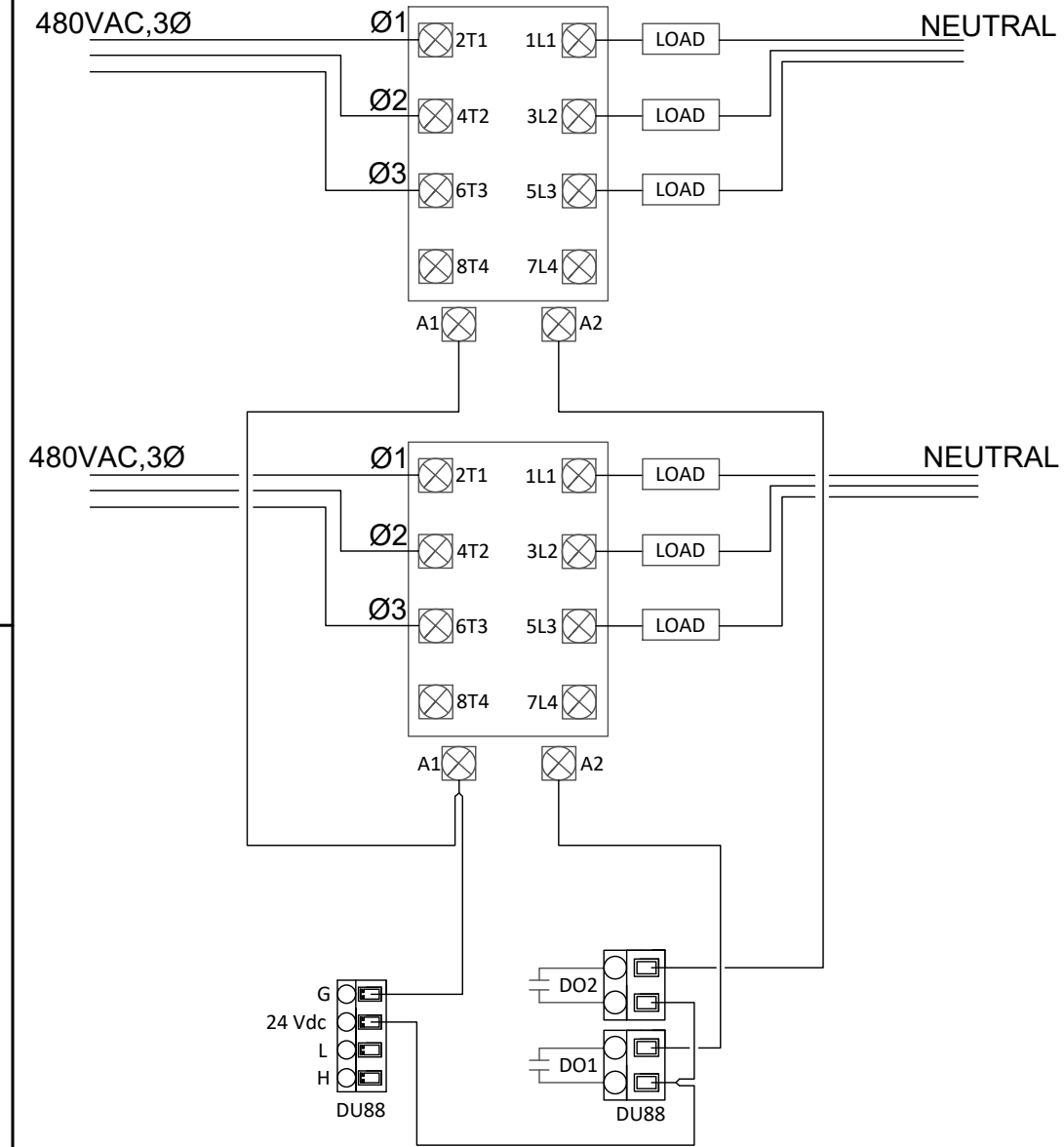
NORMAL FIXTURE

DTL-100.3



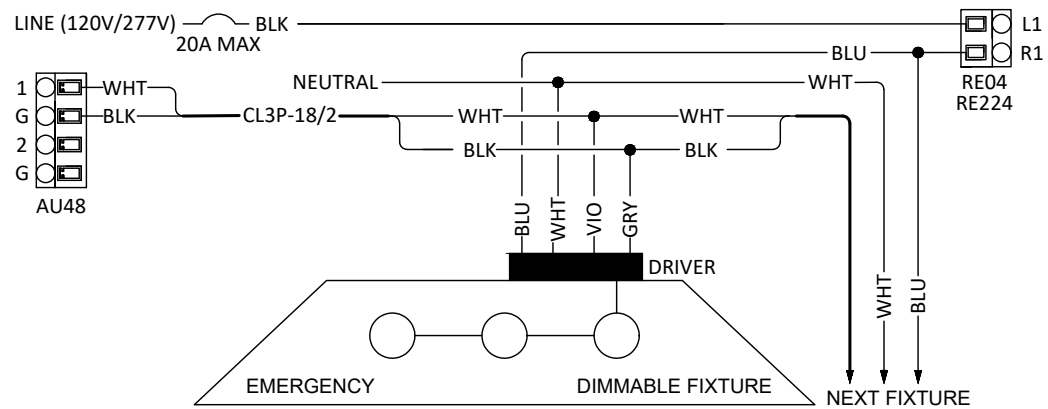
PLUG LOAD

DTL-100.5



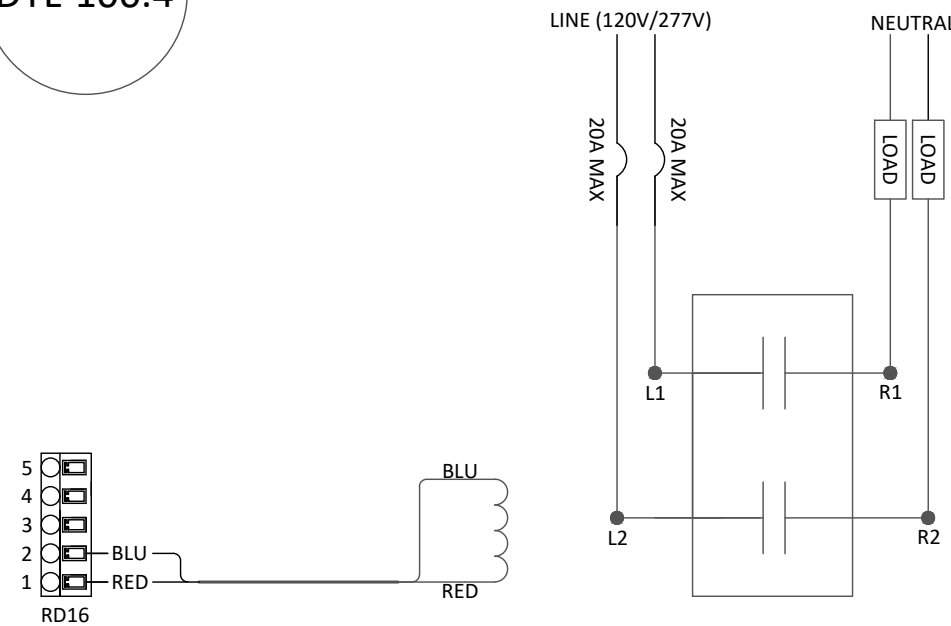
MULTIPLE AFO9Z-40-00-21 CONTACTORS

DTL-100.2



EMERGENCY FIXTURE

DTL-100.4



WR6172 CONTACTOR

ENGINEERING STANDARDS
DETAIL SHEET 100

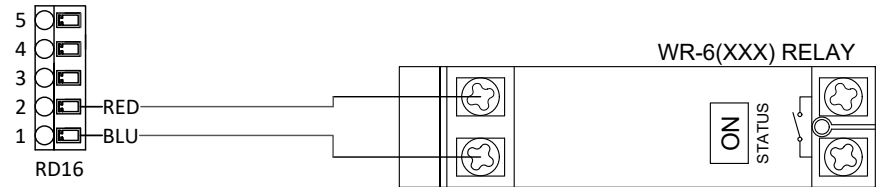
Typical Class-I Wiring

Rev: 1.05 | Type: Wiring Typical | Date: 09/15/2021 | Job #:

BLUE RIDGE TECHNOLOGIES™
UNIFIED LIGHTING CONTROL

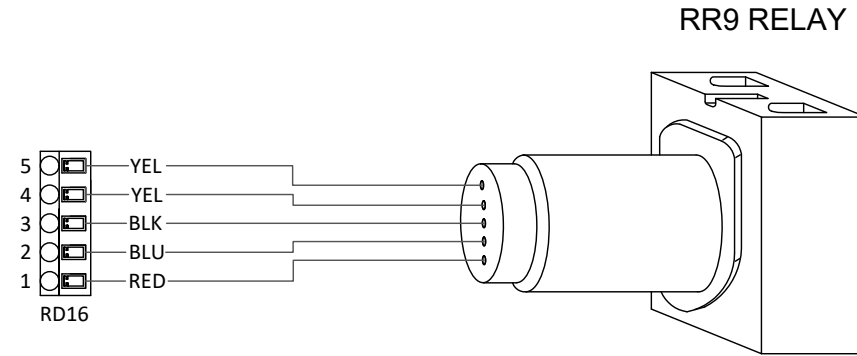
Engineered: WCD
Drawn: EFM
Checked: WCD
Page: 1 of 3

DTL-101.1



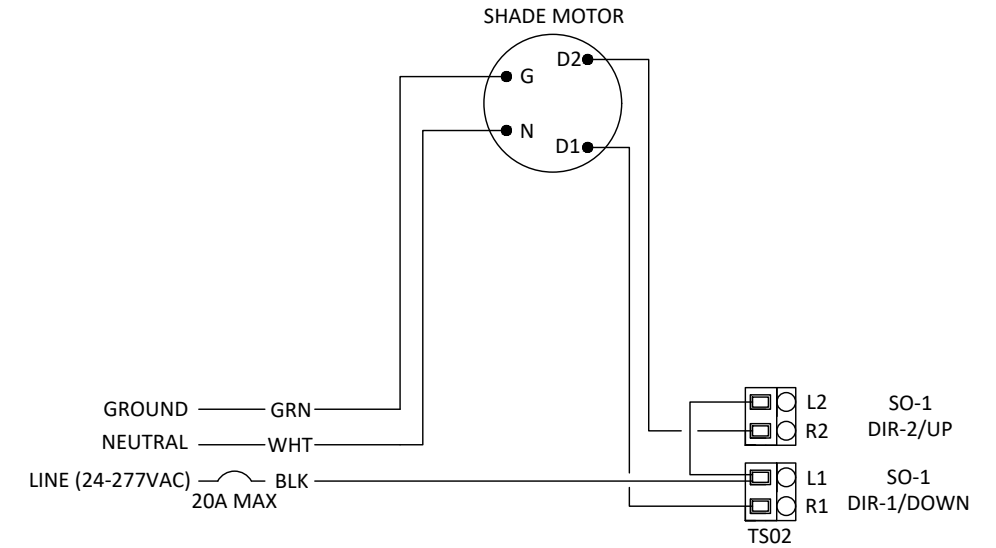
RETROFIT KIT - RD16, WR-6(XXX) RELAY

DTL-101.3



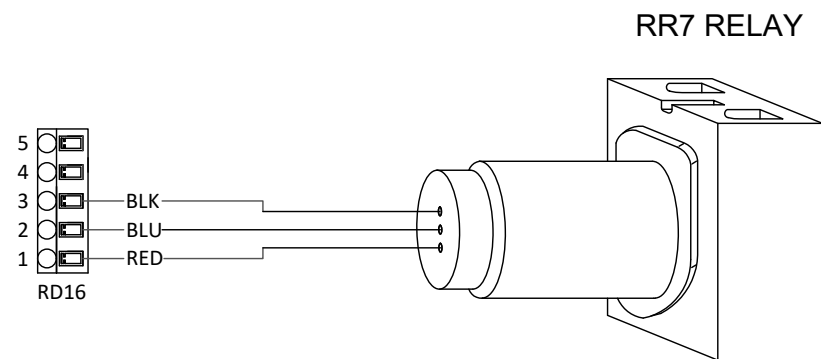
RETROFIT KIT - RD16, RR9 RELAY

DTL-101.5



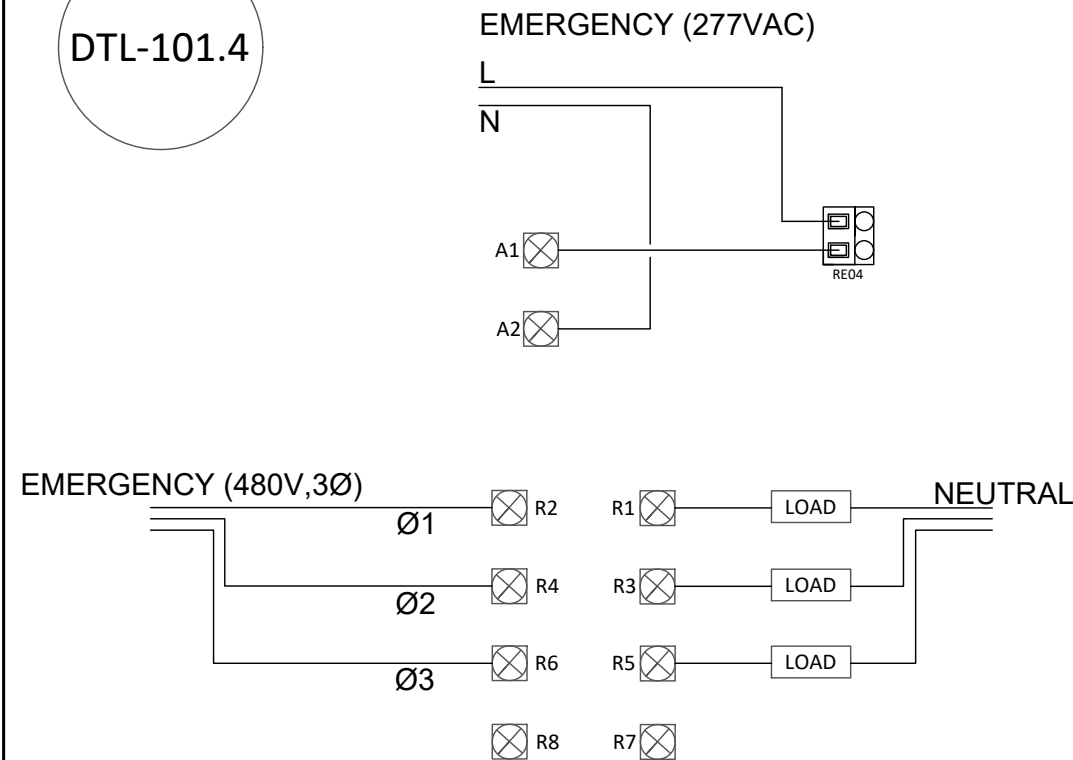
Direct Drive Shade Control - TS02 Module

DTL-101.2



RETROFIT KIT - RD16, RR7 RELAY

DTL-101.4



A16-40-L CONTACTOR (UL924)

ENGINEERING STANDARDS
DETAIL SHEET 101

Typical Class-I Wiring

Rev: 1.05 | Type: Wiring Typical | Date: 09/15/2021 | Job #:

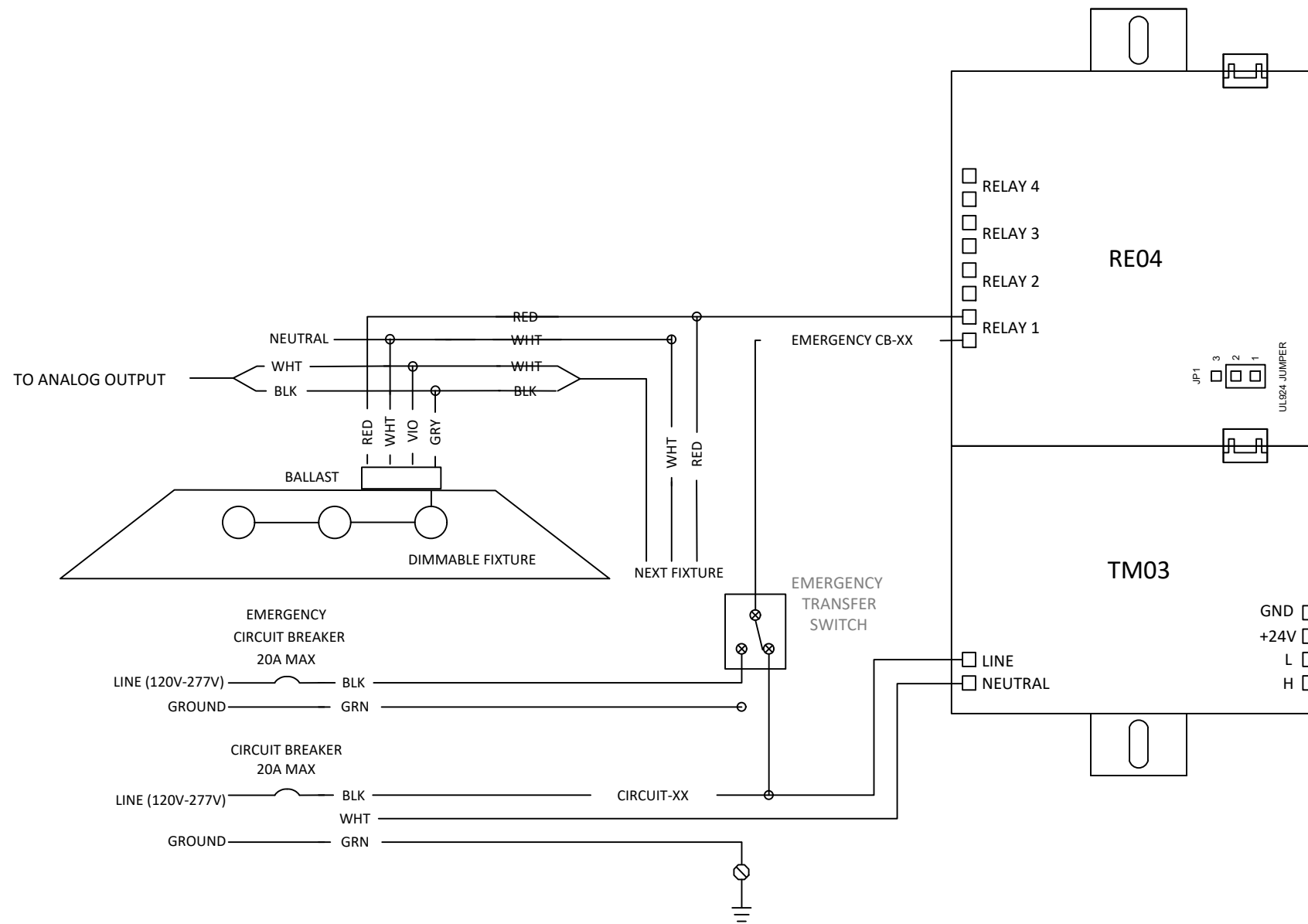
BLUE RIDGE TECHNOLOGIES™
UNIFIED LIGHTING CONTROL

Engineered: WCD

Drawn: EFM

Checked: WCD

Page: 2 of 3



1. Emergency circuits are controlled from the RE04 module for UL924 Emergency Bypass. The UL924 configuration jumper is set for "Emergency"
2. Power loss is detected by the RE04.
3. All relays connected to the RE04 are forced ON. UL924 capacitors power emergency relay function. No external power source or input is
4. Relays not connected to the RE04 remain in their present state (On/Off). Lighting Tough Relays (LTR) are mechanical latching type.
5. Generator transfer switch (not located in the relay panel) reacts and allows generator to feed dedicated emergency circuits previously fed by

The relays connected to the RE04 are already ON, so the only possible source of delay in emergency lighting is the generator or emergency
6. Dedicated emergency lighting circuits will remain On while emergency power source is applied.
7. Normal power is restored and the emergency transfer switch returns all circuits to normal power.
8. Relays connected to the RE04 will remain On during and after normal power restoration.
9. Relays not connected to the RE04 remain in their present state (On/Off).
10. Normal control of all relays, including relays connected to the RE04, is restored.

IMPORTANT SAFEGUARDS

When using electrical equipment, basic safety precautions should always be followed including the following:

READ AND FOLLOW ALL SAFETY INSTRUCTIONS.


All Service should be performed by qualified service personnel.

Do not mount near gas or electric heaters.

Equipment should be mounted in locations and at heights where it will not readily be subjected to tampering by unauthorized personnel.

The use of accessory equipment not recommended by the manufacturer may cause an unsafe condition.

Do not use this equipment for other than intended use.

ENGINEERING STANDARDS DETAIL SHEET 102			
Typical Class-I Wiring			
Rev: 1.05	Type: Wiring Typical	Date: 09/15/2021	Job #:
 BLUE RIDGE TECHNOLOGIES™ UNIFIED LIGHTING CONTROL			Engineered: WCD
			Drawn: EFM
			Checked: WCD
			Page: 3 of 3