

Project

Part Number

Ref.

Data Sheet



**Overview**

USB Tech Kit (USB-TK) includes all components for programming Retrofit Interior (RI), Retrofit Kit (RK), and Relay Panel (RP) Controllers. USB-TK facilitates Controller setup, programming, firmware updates, and firmware restoration. The kit features a 16’(5m) USB Tech Cable (USB-TC) for computer connection and a 1GB flash drive containing instructions, LPPK Software, AppLoader Software, and Software utilities.

**Features**

Compatible with RI, RK, and RP  
 Complete Software tool set and instructions  
 Extended reach 16’(5m) USB-TC

**Warranty**

Two (2) year limited manufacturer warranty from date of shipment (extended warranty optional)

**Flash Drive Specifications**

Capacity: 1GB

Contents:

- Documents
  - USB-TK User Guide
  - Controller Integration Guide (BACnet MS/TP, N2, and P1)
  - BACnet MS/TP PIC Statement

LPPK: Controller setup and programming Software

- LPPK Install
- Unlock LPPK
- LPPK Product Codes
- LPX Files

AppLoader: Controller firmware update and restoration Software

- AppLoader Install
- AppLoader User Guide
- AppLoader Clippings

Utilities

- USB Drivers
- RealTerm

**Tech Cable Specifications**

Dimensions: 16’(5m)L

Computer Connection: Standard-A USB plug

Controller Connection:

LPPK: RS-485, 3-pin green plug, female pins

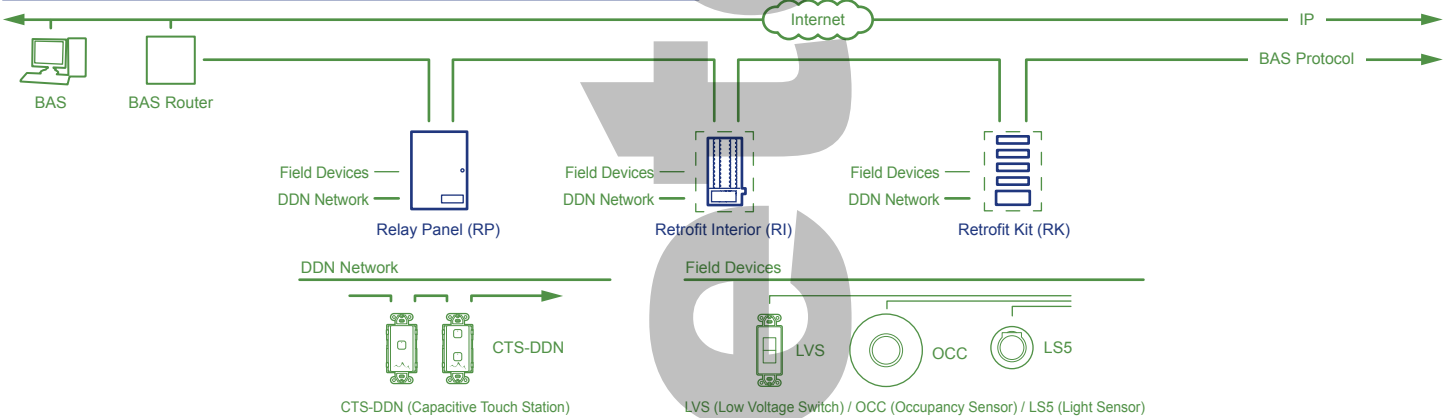
AppLoader: 5-pin red/white plug, female pins

# USB Tech Kit

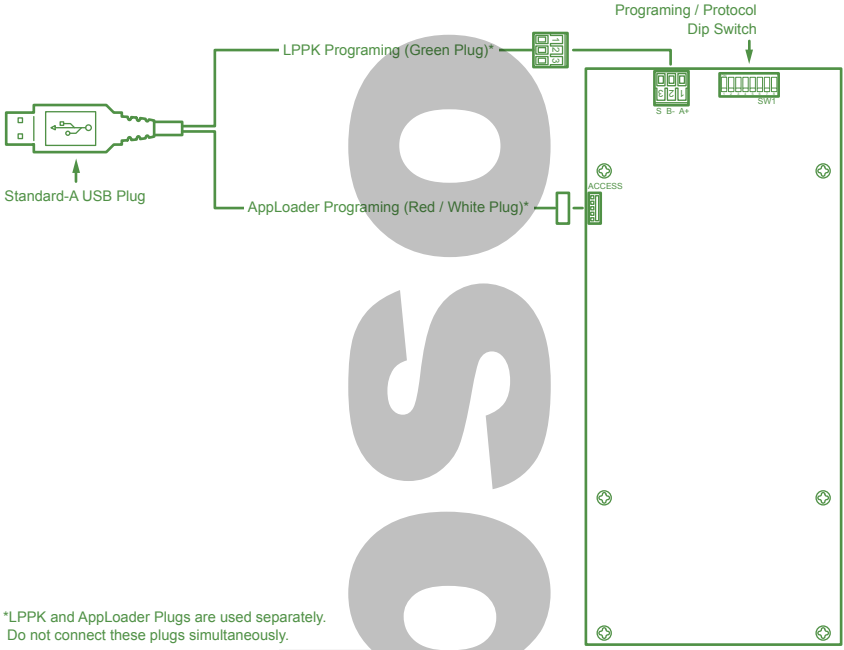
www.BRTint.com : 800-241-9173 Blue Ridge Technologies® © 2016 Blue Ridge Technologies International, LLC All Rights Reserved. MD-USB-TK-DS-V14.02

Data Sheet

## General Architecture



## Controller Terminations



## Ordering Information

Part Number	Description
MDUSB-TK	USB Tech Kit (LPPK / Related Software and USB Tech Cable)
MDUSB-TC	Replacement USB Tech Cable