

Project	Part Number	Ref.
---------	-------------	------

Overview

Relay Panel (RP) is a UL Listed lighting control panel. RP may be controlled from any N2 BAS and is compatible with all low voltage switches. RP mounts near the circuit breaker panel to provide centralized control of branch lighting circuits. Relay Panel 16 (RP16) features 8 or 16 Lighting Tough Relays (LTR) in a black powder coated steel enclosure with a hinged reversible door.

Features

- UL Listed
- N2 communication to BAS network
- Sub network for Capacitive Touch Stations (CTS-DDN)
- Line and low voltage compartment separation
- Upgradable controller firmware
- Optional UL924 Emergency Bypass

General Specifications

- Construction: 16ga steel with black powder coat finish
- Dimensions:
 - Enclosure: 16.20"(411mm)H x 18.00"(457mm)W x 5.75"(146mm)D
 - Door Surface Mount: 16.45"(418mm)H x 18.08"(459mm)W
 - Door Recessed (Flush): 17.70"(450mm)H x 19.58"(497mm)W
- Weight: 32lbs(14.5kg)
- Mounting: Surface or recess mounted
- Operating Environment: 32-125°F (0-50°C), 20-95%RH, non-condensing, Type 1 (dry / indoor environment)

Certifications

- UL Listed, UL916 Standard for Energy Management Equipment, US/Canada
- FCC Part 15
- CEC Title 24
- Electronics meet or exceed IEC Level 3

Warranty

Two (2) year limited manufacturer warranty from date of shipment (extended warranty optional).

Controller Specifications

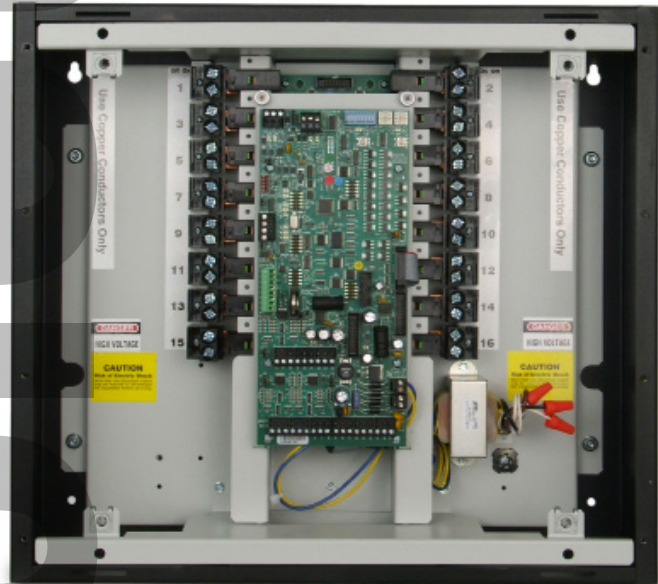
- Power In: 24VAC +/-10%, 30VA, 50-60 Hz
- Auxiliary Out: 24VAC, 800mA (devices with full wave rectified power supply only)
- Digital Input (DI) and DDN Network Power Out: 24VDC, 200mA total
- Digital Input: 24 two-wire inputs
 - Software Configuration: Maintained, state change, momentary on/off, momentary on, or momentary off
 - Jumper Configuration: 8 input segments, dry contact (N) or 24VDC externally powered (R)
 - Wire Requirement / Maximum Length: 18AWG (Solid or Stranded) / Dry Contact 500'(152m) or externally powered 1,000'(304m)
- Analog Input: 6 three-wire 0-5VDC inputs
 - Power Out: 5VDC, 50mA total
 - Wire Requirement / Maximum Length: 18AWG (Solid or Stranded) / 250'(76m)

BAS Network Specifications

- N2
 - Baud Rate: DIP switch selectable 9.6K
 - Address Range: 1 – 255 selectable with rotary dials and DIP switch
 - Topology: RS-485, half duplex, daisy chain wiring
 - Wire Requirement / Maximum Length: CL3P, 22AWG, 2 conductor, shielded, low cap / 4000'(1216m)
 - Points: See Integration Guide

DDN Network Specifications

Compatible with CTS-DDN and DDN devices. See data sheet for details.



Transformer Specifications

- Type: 30VA Inherently Limited
- Primary: Dual Tap 120 or 277VAC +/-10%, 30VA, 50-60 Hz
- Secondary: 24VAC +/-10% Inherently Limited
- Wire Requirement: 18AWG Minimum (Solid or Stranded)

LTR Specifications

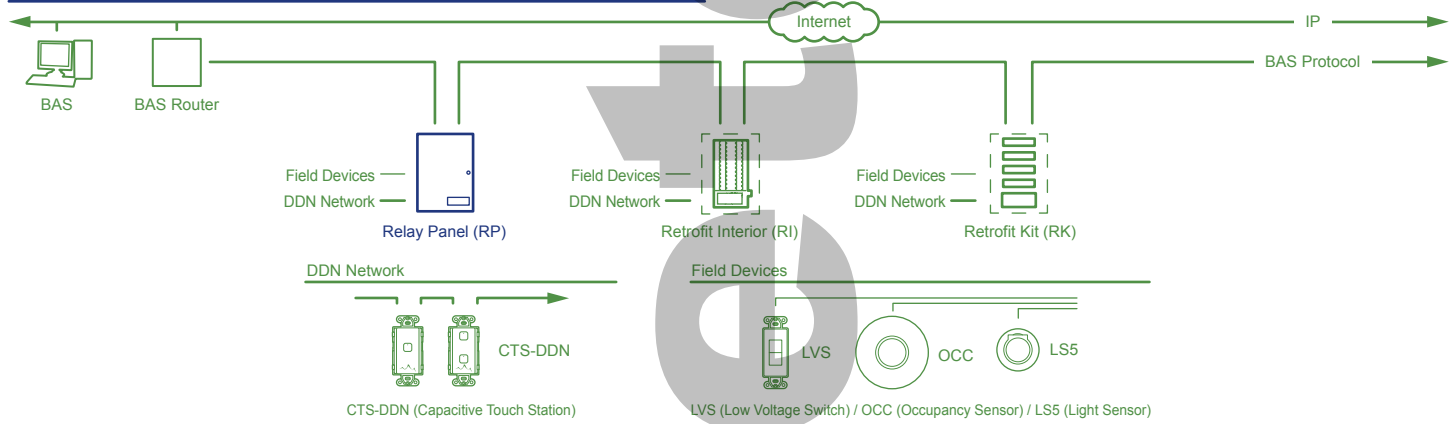
- Type:
 - UL Listed
 - SPST latching with manual override lever
 - Electrically operated mechanically held, pulse driven
 - Short Circuit Current Rating (SCCR) 20,000A @ 277 VAC
 - Ratings: Tungsten 20A @ 120VAC / Ballast 20A @ 277VAC / Ballast 20A @ 347VAC / Resistive 20A @ 277VAC / Resistive 20A @ 347VAC
 - Load Terminal: Universal screw terminal, box type clamp
 - Terminal Capacity (per side): (2) 14-10AWG or (1) 8AWG (Solid or Stranded copper wire)

Relay Panel 16

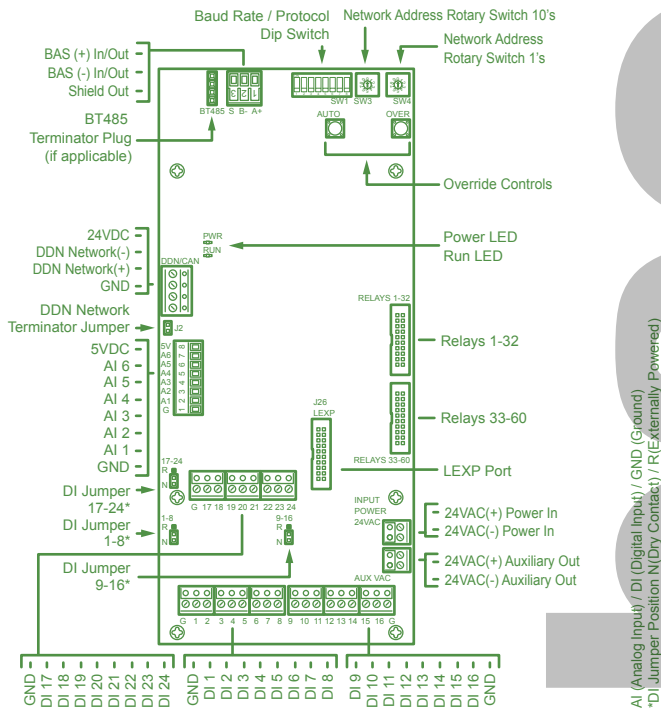
www.BRTint.com : 800-241-9173 Blue Ridge Technologies® © 2016 Blue Ridge Technologies International, LLC All Rights Reserved. MD-RP16-DS-V14.02

Data Sheet

General Architecture



Controller Terminations



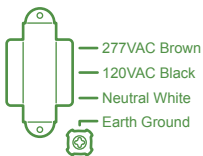
Ordering Information*

MD16P - XX - XX - XX - XX

Actual Quantity of Relays Installed	XX = 08 08 Relays Installed XX = 16 16 Relays Installed
Special Options	XX = 00 None
Low Voltage Section at Bottom of Panel	XX = 0L None
Line Voltage Bay at Top of Panel with Dead Front Cover	XX = 0H None

* See Price List for Recessed (Flush) door panels.

Transformer Terminations



LTR Terminations

