

Project

Part Number

Ref.

Data Sheet

Overview

Relay Panel (RP) is a UL Listed lighting control panel. RP may be controlled from any N2 BAS and is compatible with all low voltage switches. RP mounts near the circuit breaker panel to provide centralized control of branch lighting circuits. Relay Panel 08 (RP08) features 4 or 8 Lighting Tough Relays (LTR) and a removable door.

Features

- UL Listed
- N2 communication to BAS network
- Sub network for Capacitive Touch Stations (CTS-DDN)
- Line and low voltage compartment separation
- Upgradable controller firmware

General Specifications

Construction: 16ga steel with black powder coat finish
Dimensions:
Enclosure: 14.75"(375mm)H x 13.00"(330mm)W x 5.75"(146mm)D
Door Surface Mount: 14.94"(379mm)H x 13.16"(334mm)W
Weight: 20.5lbs(9.3 kg)
Mounting: Surface mounted
Operating Environment: 32-125°F (0-50°C), 20-95%RH, non-condensing, Type 1 (dry / indoor environment)

Certifications

UL Listed, UL916 Standard for Energy Management Equipment, US/Canada
FCC Part 15
CEC Title 24
Electronics meet or exceed IEC Level 3

Warranty

Two (2) year limited manufacturer warranty from date of shipment (extended warranty optional).

Controller Specifications

Power In: 24VAC +/-10%, 30VA, 50-60 Hz
Auxiliary Out: 24VAC, 800mA (devices with full wave rectified power supply only)
Digital Input (DI) and DDN Network Power Out: 24VDC, 200mA total
Digital Input: 24 two-wire inputs
Software Configuration: Maintained, state change, momentary on/off, momentary on, or momentary off
Jumper Configuration: 8 input segments, dry contact (N) or 24VDC externally powered (R)
Wire Requirement / Maximum Length: 18AWG (Solid or Stranded) / Dry Contact 500'(152m) or externally powered 1,000'(304m)
Analog Input: 6 three-wire 0-5VDC inputs
Power Out: 5VDC, 50mA total
Wire Requirement / Maximum Length: 18AWG (Solid or Stranded) / 250'(76m)

BAS Network Specifications

N2
Baud Rate: DIP switch selectable 9.6K
Address Range: 1 – 255 selectable with rotary dials and DIP switch
Topology: RS-485, half duplex, daisy chain wiring
Wire Requirement / Maximum Length: CL3P, 22AWG, 2 conductor, shielded, low cap / 4000'(1216m)
Points: See Integration Guide

DDN Network Specifications

Compatible with CTS-DDN and DDN devices. See data sheet for details.

Transformer Specifications

Type: 30VA Inherently Limited
Primary: Dual Tap 120 or 277VAC +/-10%, 30VA, 50-60 Hz
Secondary: 24VAC +/-10% Inherently Limited
Wire Requirement: 18AWG Minimum (Solid or Stranded)

LTR Specifications

Type:
UL Listed
SPST latching with manual override lever
Electrically operated mechanically held, pulse driven
Short Circuit Current Rating (SCCR) 20,000A @ 277 VAC
Ratings: Tungsten 20A @ 120VAC / Ballast 20A @ 277VAC / Ballast 20A @ 347VAC / Resistive 20A @ 277VAC / Resistive 20A @ 347VAC
Load Terminal: Universal screw terminal, box type clamp
Terminal Capacity (per side): (2) 14-10AWG or (1) 8AWG (Solid or Stranded copper wire)

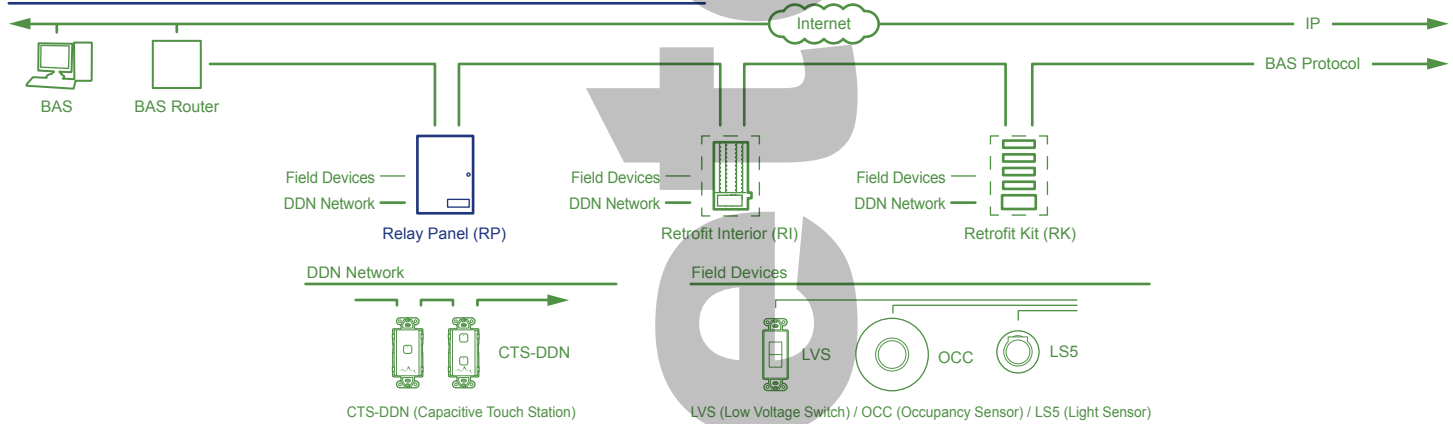


Relay Panel 08

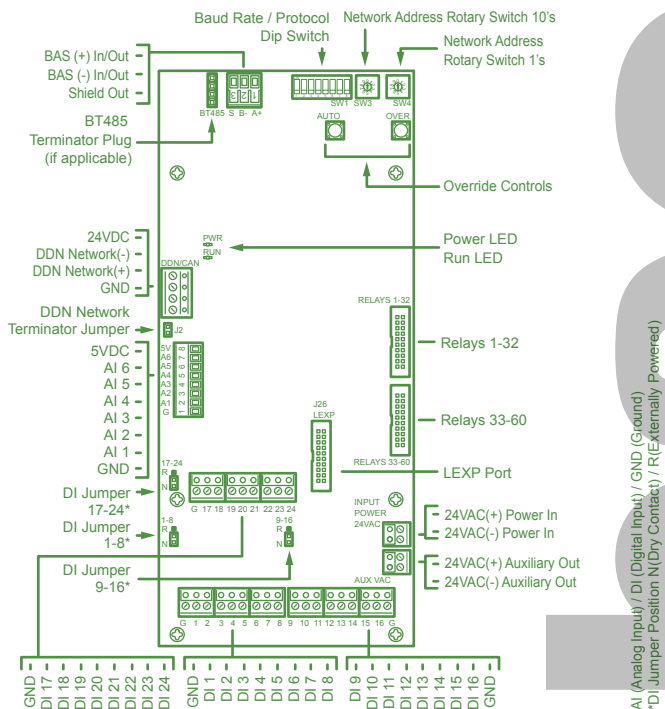
www.BRTint.com : 800-241-9173 Blue Ridge Technologies® © 2016 Blue Ridge Technologies International, LLC All Rights Reserved. MD-RP08-DS-V14.02

Data Sheet

General Architecture



Controller Terminations

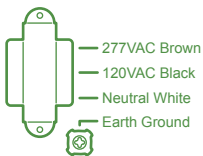


Ordering Information

MD08P - XX - XX

| | |
|-------------------------------------|--------------------|
| Actual Quantity of Relays Installed | |
| XX = 04 | 4 Relays Installed |
| 08 | 8 Relays Installed |
| Special Options | |
| XX = 00 | None |

Transformer Terminations



LTR Terminations

