

Project

Part Number

Ref.

Data Sheet



Overview

LS5 is a photodiode light level sensor compatible with all Unified Lighting Control platforms. The 0-5VDC signal converts to both Foot-candle (FC) and LUX values to facilitate local as well as BAS daylight harvesting functions. LS5 features a compact white polymer housing and is available for outdoor applications.

Features

UL and ETL Listed
Compatible with all platforms
Available for various applications

General Specifications

Construction: White polymer
Approximate Weight: 1oz(30g)
Operating Environment: -40-140°F (-40-60°C)

Photodiode Specifications

Type: Blue enhanced photodiode
Signal: 0-5VDC linear
Time Response: 10 second full range
Tolerance: 12%
Repeatability: +/-0.5%
Linearity: 2%
Temperature: +/-10%

Electrical Specifications

Power Input / Draw: 5VDC / 4.8mA
Leads: 6"(152mm)L, 18AWG, 3-wire
Red: 5VDC
Black: Common
Yellow: Signal

Certifications

UL Listed, UL916, US/Canada
ETL Listed, US/Canada
NEC Class 2
CEC Title 24
RoHS

Warranty

Two (2) year limited manufacturer warranty from date of shipment
(extended warranty optional)

Outdoor Sensor (LS50) Specifications

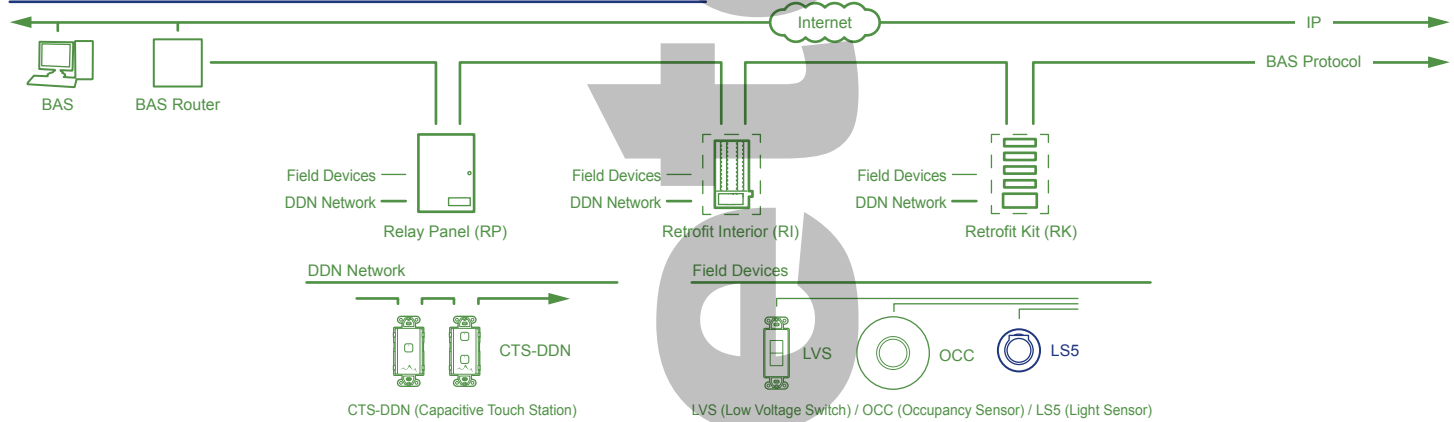
Dimensions: 2.19"(56mm) Protrusion when mounted x 1.31"(33mm)Dia.
Mounting Method: Male 1/2" NPT / 1/2" Knockout
Mounting Orientation: Sensor window horizontal with hood up
Sensor Range: 0-250FC

Light Sensor 5

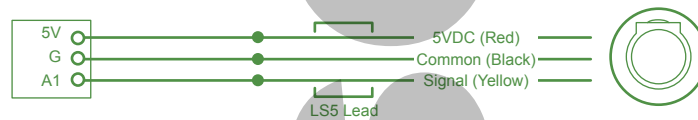
www.BRTint.com : 800-241-9173 Blue Ridge Technologies® © 2016 Blue Ridge Technologies International, LLC All Rights Reserved. MD-LS5-DS-V14.02

Data Sheet

General Architecture



Controller Terminations



Ordering Information

Part Number	Description
MDLS50	Light Level Sensor, 5VDC Linear Photodiode for Outdoor Use