

## Overview

Capacitive Touch Stations (CTS-DDN) provide local occupant overrides on the DDN Network. CTS-DDN are available in Channel On/Off configuration with one or two button layouts. The CTS-DDN interface features LED and audible chirp indication as well as schedule transition warnings. CTS-DDN fit decorator style wall plates, are gang-able with other devices, and are available in four standard colors.

## Features

Compatible with DDN Network  
Available in Black, Gray, Light Almond, or White  
Fits decorator style wall plates  
Gang-able with other decorator style devices  
Extended life cycle

- No moving switch parts
- LED indicator

## General Specifications

Construction: Acrylic face, ABS/polycarbonate back box / mounting frame  
Dimensions:  
Station: 4.13"(105mm)H x 1.75"(44mm)W x 1.13"(29mm)D  
Capacitive Touch Surface: 0.5"(13mm)H x 0.5"(13mm)W per button  
Weight: 3oz (85g)  
Mounting: Standard single gang or multi-gang switch box, (2) #6/32 screws (included), and Decorator style wall plate (not included)  
Operating Environment: 32-125°F (0-50°C), 20-95%RH, non-condensing

## Warranty

Two (2) year limited manufacturer warranty from date of shipment (extended warranty optional)

## Low Voltage Specification

CTS-DDN Power / Draw: 24VDC / 15mA

## Legacy Low Voltage Specifications

DDN Switch and Input Module Power / Draw: 24VDC / 20mA

## DDN Network Specifications

Protocol: Digital Device Network (DDN)  
Maximum Unique Button Addresses: 60  
Address: DIP switch selectable  
Topology: Daisy Chain Wiring (no stars or t-taps)  
Wire Requirement: CL3P, 22AWG, 4 conductor, Unshielded  
Maximum Length: 2,000'(610m)  
Network Termination: DIP switch

## Station Specifications

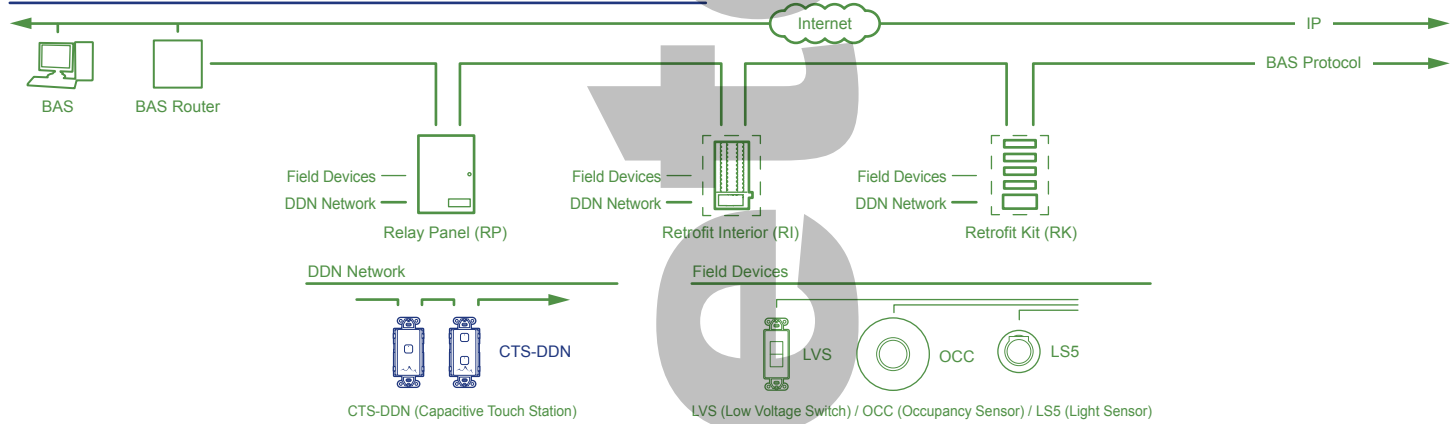
Button Layout Channel On/Off: 1, 2  
Button Operation: Momentary On/Off  
Indicator Operation  
Audible Indication: Chirp when button is pressed  
LED Status Indication: LED is on when associated lighting is on.  
LED Schedule Transition Warning: Rapid blinking  
Button Configuration  
Each Unique Button Address is assigned to the lighting group of the same number.  
3-way / 4-way Operation: Requires CTS-DDN with same button layout. Accomplished by using same button address (may require additional power).

# Capacitive Touch Station DDN

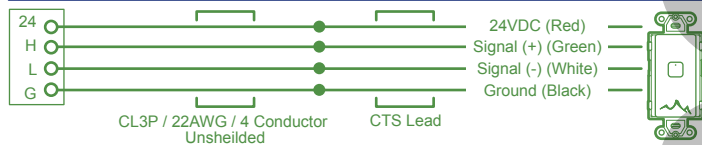
www.BRTint.com : 800-241-9173 Blue Ridge Technologies® © 2016 Blue Ridge Technologies International, LLC All Rights Reserved. MD-CTSDDN-DS-V14.02

Data Sheet

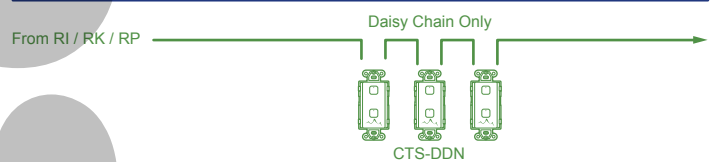
## General Architecture



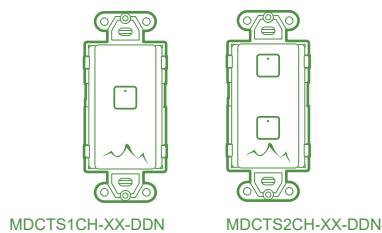
## Controller Terminations



## DDN Network Structure



## Button Layout Options



## Ordering Information

MDCTS XXX - XX - DDN

Channel Quantity  
 XXX = 1CH 1 Channel (On-Off)  
 2CH 2 Channels (On-Off)

Color Options  
 XX = WH White