

Project

Part Number

Ref.

Data Sheet

## Overview

Relay Panel (RP) is a UL Listed lighting control panel. RP may be controlled from any P1 BAS and is compatible with all low voltage switches. RP mounts near the circuit breaker panel to provide centralized control of branch lighting circuits. Relay Panel 32 (RP32) features 16, 24, or 32 Lighting Tough Relays (LTR) in a black powder coated steel enclosure with a hinged reversible door.

## Features

- UL Listed
- P1 communication to BAS network
- Sub network for Capacitive Touch Stations (CTS-DDN)
- Line and low voltage compartment separation
- Upgradable controller firmware
- Optional UL924 Emergency Bypass

## General Specifications

Construction: 16ga steel with black powder coat finish

Dimensions:

Enclosure: 25.00"(635mm)H x 18.00"(457mm)W x 5.75"(146mm)D

Door Surface Mount: 25.25"(641mm)H x 18.08"(459mm)W

Door Recessed (Flush): 26.50"(673mm)H x 19.58"(497mm)W

Weight: 47.5lbs(21.5kg)

Mounting: Surface or recess mounted

Operating Environment: 32-125°F (0-50°C), 20-95%RH, non-condensing, Type 1 (dry / indoor environment)

## Certifications

UL Listed, UL916 Standard for Energy Management Equipment, US/Canada

FCC Part 15

CEC Title 24

Electronics meet or exceed IEC Level 3

## Warranty

Two (2) year limited manufacturer warranty from date of shipment (extended warranty optional).

## Controller Specifications

Power In: 24VAC +/-10%, 30VA, 50-60 Hz

Auxiliary Out: 24VAC, 800mA (devices with full wave rectified power supply only)

Digital Input (DI) and DDN Network Power Out: 24VDC, 200mA total

Digital Input: 24 two-wire inputs

Software Configuration: Maintained, state change, momentary on/off, momentary on, or momentary off

Jumper Configuration: 8 input segments, dry contact (N) or 24VDC externally powered (R)

Wire Requirement / Maximum Length: 18AWG (Solid or Stranded) / Dry

Contact 500'(152m) or externally powered 1,000'(304m)

Analog Input: 6 three-wire 0-5VDC inputs

Power Out: 5VDC, 50mA total

Wire Requirement / Maximum Length: 18AWG (Solid or Stranded) / 250'(76m)

## BAS Network Specifications

P1

Baud Rate: DIP switch selectable 4.8K, 9.6K, 19.2K, or 38.4K

Address Range: 1 – 99 selectable with rotary dials

Topology: RS-485, half duplex, daisy chain wiring

Wire Requirement / Maximum Length: CL3P, 22AWG, 2 conductor, shielded, low cap / 4000'(1216m)

Points: See Integration Guide

## DDN Network Specifications

Compatible with CTS-DDN and DDN devices. See data sheet for details.



## Transformer Specifications

Type: 30VA Inherently Limited

Primary: Dual Tap 120 or 277VAC +/-10%, 30VA, 50-60 Hz

Secondary: 24VAC +/-10% Inherently Limited

Wire Requirement: 18AWG Minimum (Solid or Stranded)

## LTR Specifications

Type:

UL Listed

SPST latching with manual override lever

Electrically operated mechanically held, pulse driven

Short Circuit Current Rating (SCCR) 20,000A @ 277 VAC

Ratings: Tungsten 20A @ 120VAC / Ballast 20A @ 277VAC / Ballast 20A

@ 347VAC / Resistive 20A @ 277VAC / Resistive 20A @ 347VAC

Load Terminal: Universal screw terminal, box type clamp

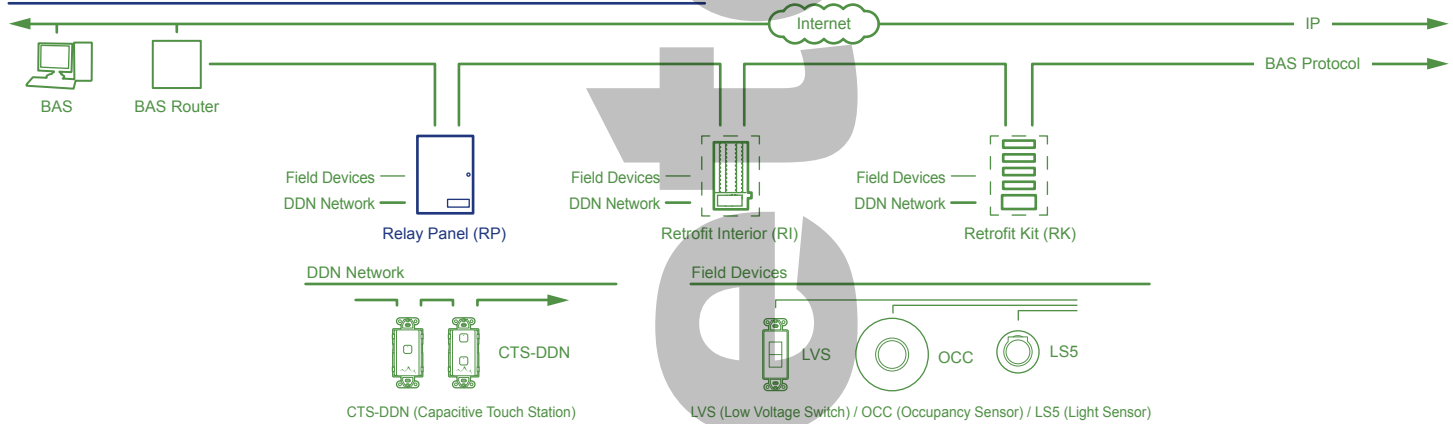
Terminal Capacity (per side): (2) 14-10AWG or (1) 8AWG (Solid or Stranded copper wire)

# Relay Panel 32

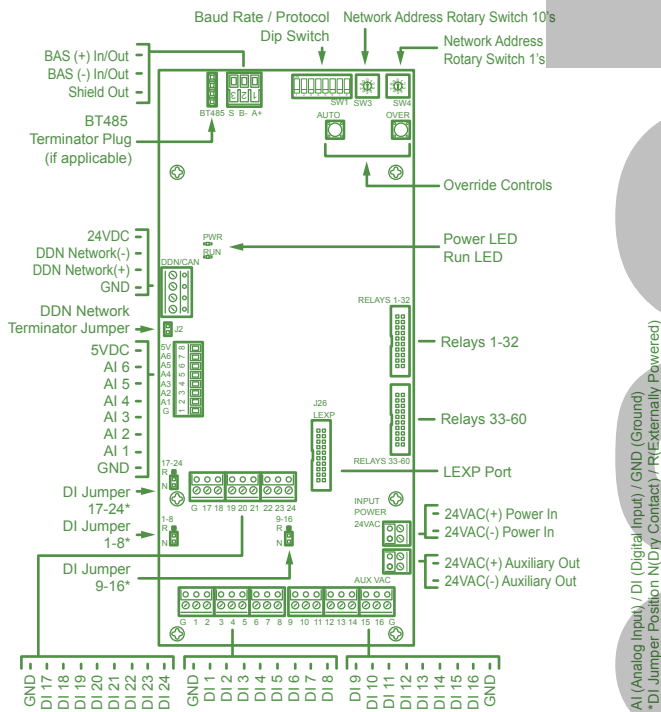
www.BRTint.com : 800-241-9173 Blue Ridge Technologies® © 2016 Blue Ridge Technologies International, LLC All Rights Reserved. FN-RP32-DS-V14.02

Data Sheet

## General Architecture



## Controller Terminations



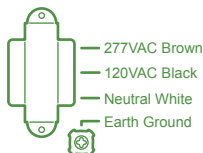
## Ordering Information\*

FN32P - XX - XX - XX - XX

Actual Quantity of Relays Installed	XX = 16 16 Relays Installed XX = 24 24 Relays Installed XX = 32 32 Relays Installed
Special Options	XX = 00 None
Low Voltage Section at Bottom of Panel	XX = 0L None
Line Voltage Bay at Top of Panel with Dead Front Cover	XX = 0H None

\* See Price List for Recessed (Flush) door panels.

## Transformer Terminations



## LTR Terminations

