

Overview

Capacitive Touch Stations (CTS-DDN) provide local occupant overrides on the DDN Network. CTS-DDN are available in Channel On/Off configuration with one or two button layouts. The CTS-DDN interface features LED and audible chirp indication as well as schedule transition warnings. CTS-DDN fit decorator style wall plates, are gang-able with other devices, and are available in four standard colors.

Features

- Compatible with DDN Network
- Available in Black, Gray, Light Almond, or White
- Fits decorator style wall plates
- Gang-able with other decorator style devices
- Extended life cycle
 - No moving switch parts
 - LED indicator

General Specifications

Construction: Acrylic face, ABS/polycarbonate back box / mounting frame
Dimensions:
Station: 4.13"(105mm)H x 1.75"(44mm)W x 1.13"(29mm)D
Capacitive Touch Surface: 0.5"(13mm)H x 0.5"(13mm)W per button
Weight: 3oz (85g)
Mounting: Standard single gang or multi-gang switch box, (2) #6/32 screws (included), and Decorator style wall plate (not included)
Operating Environment: 32-125°F (0-50°C), 20-95%RH, non-condensing

Warranty

Two (2) year limited manufacturer warranty from date of shipment (extended warranty optional)

Low Voltage Specification

CTS-DDN Power / Draw: 24VDC / 15mA

Legacy Low Voltage Specifications

DDN Switch and Input Module Power / Draw: 24VDC / 20mA

DDN Network Specifications

Protocol: Digital Device Network (DDN)
Maximum Unique Button Addresses: 60
Address: DIP switch selectable
Topology: Daisy Chain Wiring (no stars or t-taps)
Wire Requirement: CL3P, 22AWG, 4 conductor, Unshielded
Maximum Length: 2,000'(610m)
Network Termination: DIP switch

Station Specifications

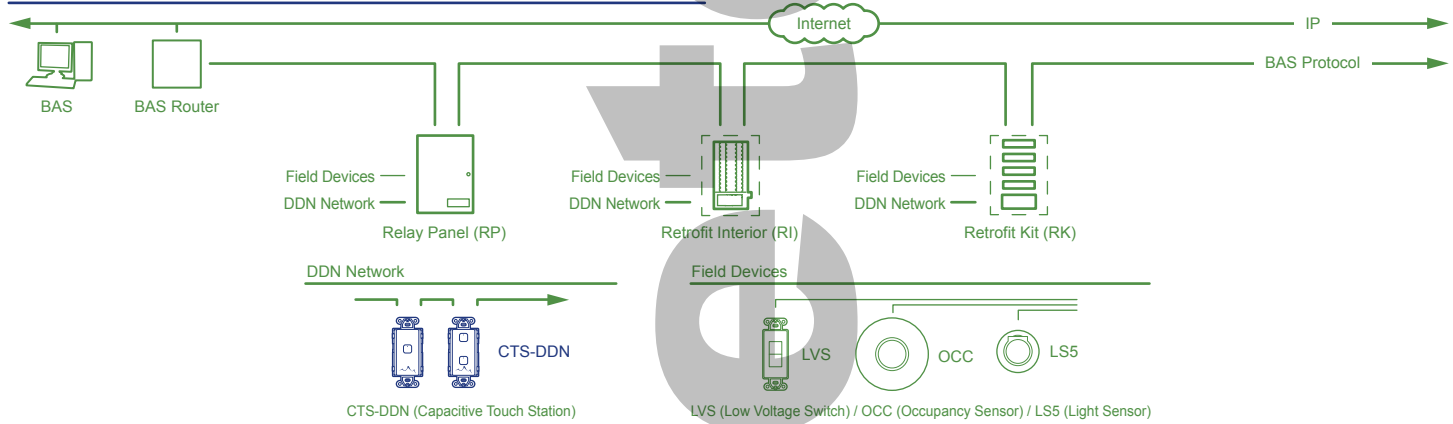
Button Layout Channel On/Off: 1, 2
Button Operation: Momentary On/Off
Indicator Operation
Audible Indication: Chirp when button is pressed
LED Status Indication: LED is on when associated lighting is on.
LED Schedule Transition Warning: Rapid blinking
Button Configuration
Each Unique Button Address is assigned to the lighting group of the same number.
3-way / 4-way Operation: Requires CTS-DDN with same button layout. Accomplished by using same button address (may require additional power).

Capacitive Touch Station DDN

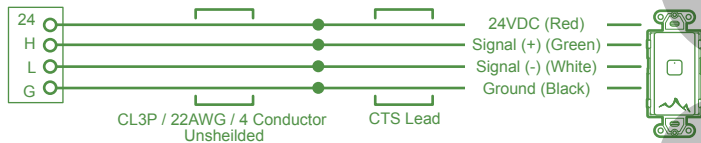
www.BRTint.com : 800-241-9173 Blue Ridge Technologies® © 2016 Blue Ridge Technologies International, LLC All Rights Reserved. FN-CTSDDN-DS-V14.02

Data Sheet

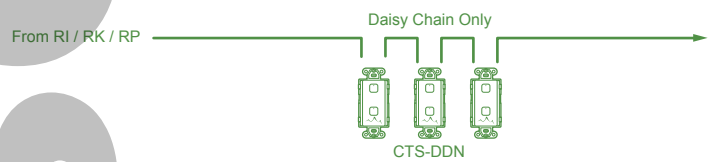
General Architecture



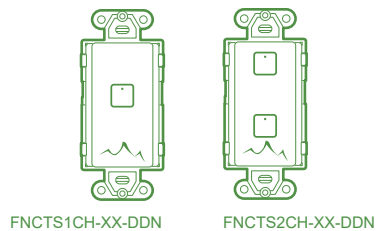
Controller Terminations



DDN Network Structure



Button Layout Options



Ordering Information

FNCTS XXX - XX - DDN

Channel Quantity
 XXX = 1CH 1 Channel (On-Off)
 2CH 2 Channels (On-Off)

Color Options
 XX = WH White