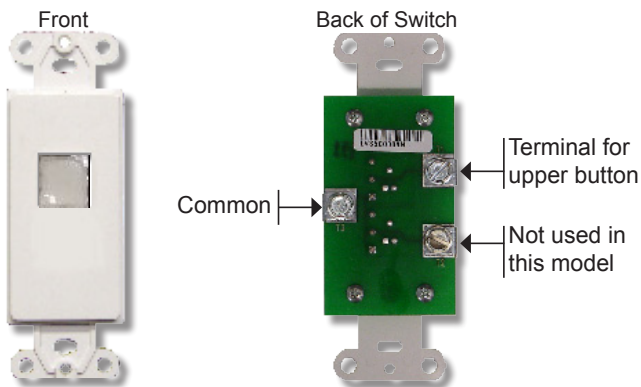


A low voltage switch that registers a solid, audible click when pressed

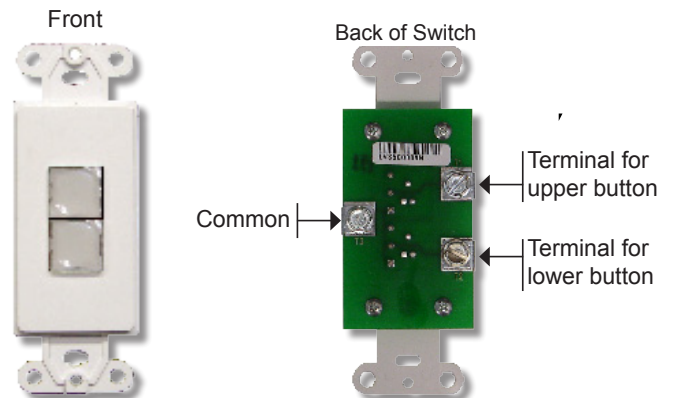
Each switch and frame is made to fit a single gang.
Made for Decora style wall plates (not included).
Available in one or two button model, white only.

LOW VOLTAGE KEY SWITCH				
Part #	Description	Contact Type	Finish	Panel Switch Inputs Required
LV-SW1	1 Button, Low voltage switch	Momentary	White Plastic	1 + 1 Common Ground
LV-SW2	2 Button, Low voltage switch	Momentary	White Plastic	2 + 1 Common Ground

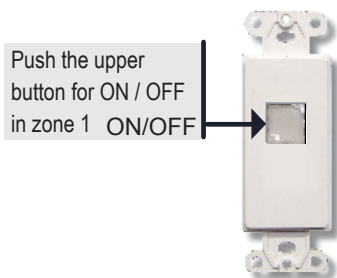
LV-SW1



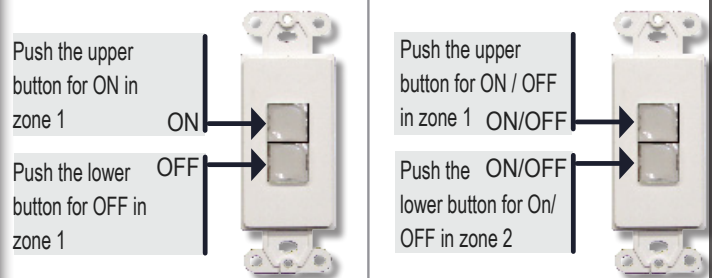
LV-SW2



How they work



How they work



Specifications:

Mechanical

- Type: Plastic
- Dimensions: 3.97" (10.08 cm) Height x 1.41" (3.58 cm) Width x 0.79" (2.0 cm) Depth
- Weight: 2 oz. (56.70 grams)
- Color: White
- Rated Life: 1,000,000 Mechanical Operations

Environmental

Operating Parameters

- Temperature: 14° to 160° F (-10° to 71.1° C)
- Humidity: 20% - 95% RH, non-condensing

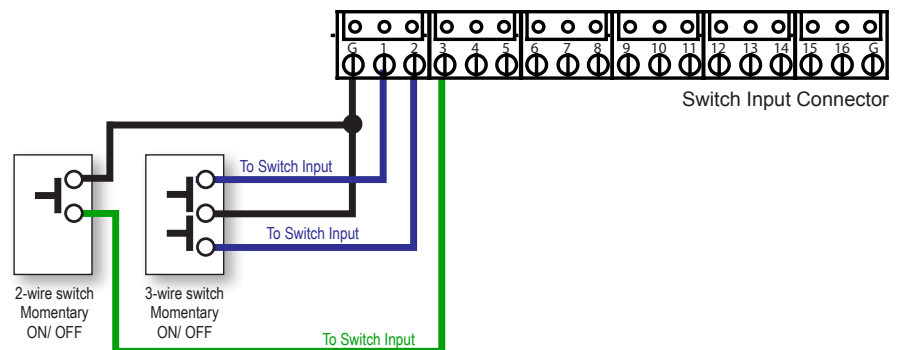
Electrical

- Maximum Voltage: 24VDC



Wiring:

Switch Inputs - Dry Contact



Wiring Recommendations:

Type: #18 AWG (non-twisted, un-shielded wire only)

Maximum Distance: 500 feet of wire between the Switch Input Connector and the Switch Terminals