

### Overview

#### Passive Infrared Occupancy Sensing

The Sensor Switch® CM-9-R is a passive infrared ceiling mounted occupancy sensor that is compatible with Lumisys lighting panels and Qwik-Kits. Typically, occupancy sensors are installed with a remotely mounted relay / power pack to provide automatic lighting control. Lumisys exceeds this standard by integrating the CM-9-R sensor into the Lumisys and Building Automation System.

Easy integration of occupancy sensor status into Building Automation System for:

- Setback of cfm and / or temperature for reduced energy consumption
- Ability to monitor and trend occupancy data to identify opportunities for energy savings, increased comfort and security



**CM-9-R**  
**Ceiling Mount Sensor**

### Green Impact

#### Existing Buildings

System	Category	Prereq.	LEED Credit
EB	SS	-	7
EB	EA	2	1,6
EB	IEQ	-	6,8
EB	IUOM	-	1

#### New Construction

System	Category	Prereq.	LEED Credit
NC	SS	-	8
NC	EA	2	1
NC	MR	-	5
NC	EQ	-	6,8
NC	ID	-	1



### Ordering Information

Catalog #	Description
CM-9-R	Sensor Switch® Passive IR, 6 Wire, Ceiling / Surface Mount, 360 degrees view area Includes two (2) mounting screws.

Optional Accessories	Catalog #	Description
	CM-BoxPlate	Junction box mounting plate.
	CM-RPX	Flush mounting kit. Includes white white trim plate and two (2) mounting screws.

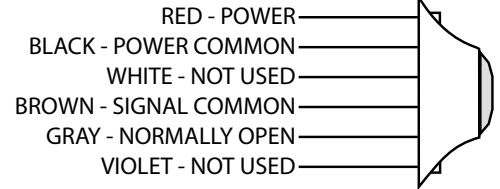
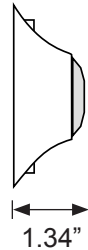
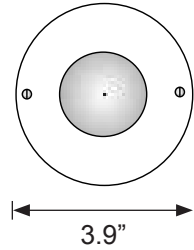
# Specifications:

## Electrical

Power 24 VAC, 13mA, supplied by Lumisys Panel or Qwik-Kit Controller. .  
 Outputs Up to 37 CM-9-R sensors can be powered from a single Lumisys Controller  
 2-wire Maintained Dry Contact

## Mechanical

Dimensions 3.9" Dia. x 1.34" Deep



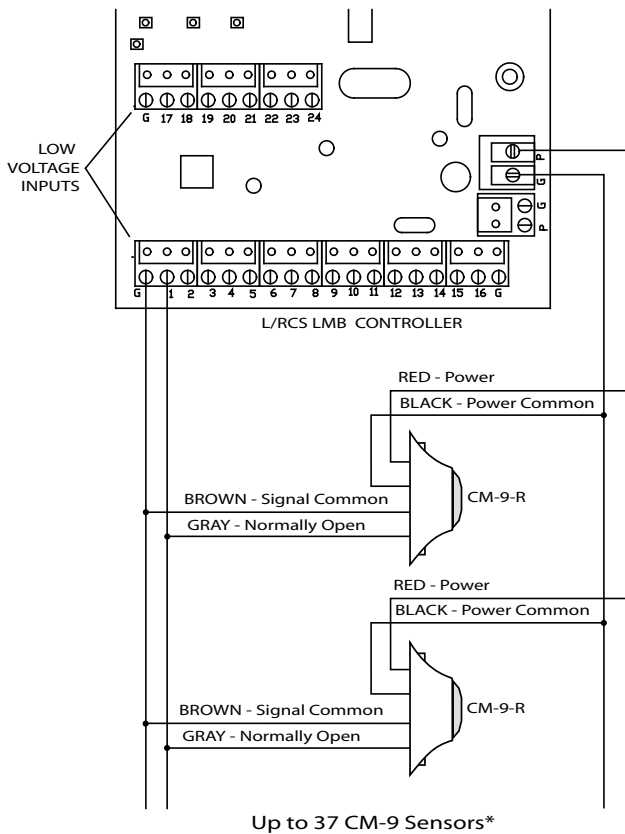
Mounting Ceiling Tile Surface or Flush, and Suspended Ceiling Junction Box.

## Environmental

Operating Temperature 14-160° F  
 Operating Humidity 20% - 90% RH, Non-condensing

## Wiring

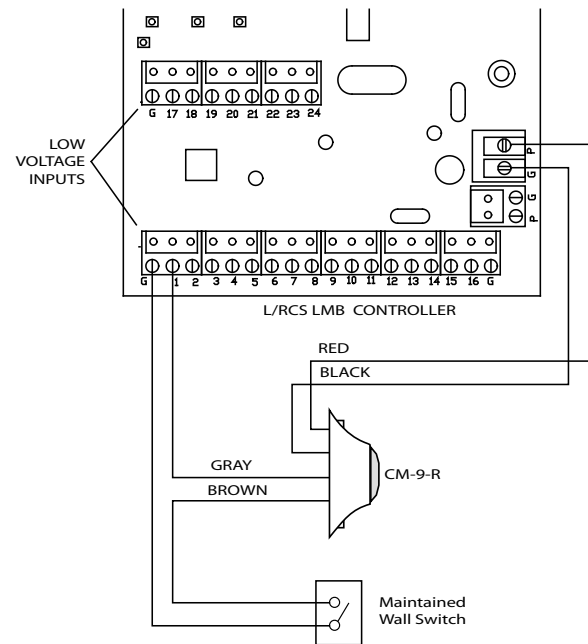
### Automatic ON/OFF



CM-9-R Sensors wired in parallel as shown here cause the same group of lights to be controlled ON or OFF whenever any sensor in the circuit detects occupancy.

One or more sensors can be wired to separate inputs on the LX5 Controller to control a different group of lights. In order for the BAS to monitor an individual sensor, that sensor must be wired to its own input.

### Automatic ON/OFF with Manual Override



Wiring a low voltage wall switch in series with the CM-9-R sensor as shown here enables the sensor to control lights only when the wall switch is ON. When the wall switch is OFF detections from the CM-9-R will not be received by the lighting panel, and thus, the lights will not be controlled to ON or OFF.

Note on Power Requirements: If your application currently includes a Lumisys Digi-Touch Network (DDN) powered by the DDN-L, a separate power supply is required for CM-9-R occupancy sensors. Contact Lumisys provider to purchase a separate transformer.

