

Installation Instructions



### Attention

This section serves as a notice of the immediate or potential dangers involved when working with the equipment described throughout this manual. Any person involved in installation, maintenance, or service of the equipment should first carefully examine the equipment and read the instructions contained in this manual to ensure that personal and/or equipment injury is avoided.

The following safety messages appear throughout this manual to alert of immediate or potential danger to life as well as property.



**Note** : Indicates an important note.



**Tip** : Indicates a helpful tip or trick.



**Safety Reminder** : Applicable safety instructions will be included with this symbol.



**DANGER** : Indicates an immediately hazardous situation which ,if not avoided, will result in serious injury or death.



**WARNING** : Indicates a potentially hazardous situation which ,if not avoided, may result in serious injury or death.



**CAUTION** : Indicates a potentially hazardous situation which ,if not avoided, may result in minor or moderate injury.

### Disclaimer

This equipment has been tested and found to comply with the limits for a Class A digital device, pursuant to part 15 of the FCC Rules. These limits are designated to provide reasonable protection against harmful interference when the equipment is operated in a commercial environment. This equipment generates, uses, and can radiate radio frequency energy and, if not installed and used in accordance with the instruction manual, may cause harmful interference to radio communications. Operation of this equipment in a residential area is likely to cause harmful interference, in which case the user will be required to correct the interference at his own expense.

Instructions contained in this user's guide should be performed only by qualified persons in accordance with local and national codes. Blue Ridge Technologies International, LLC and its affiliates assume no responsibility for any consequences related to the improper use of this manual.



**Table of Contents**

Document Overview	4
Assembly Overview	5
Relay Cover Removal	6
RVD Installation	7

Visit [www.BRTint.com/tandc.html](http://www.BRTint.com/tandc.html) for Terms and Conditions of Sale



## Document Overview

This document provides instructions for installation of the following Blue Ridge Technologies products :

Relay Voltage Divider (RVD)

RVD fits 16-64 Relay Panels (RP) only.

For RP installation guidelines and line voltage wiring refer to the RP Mounting Instructions.

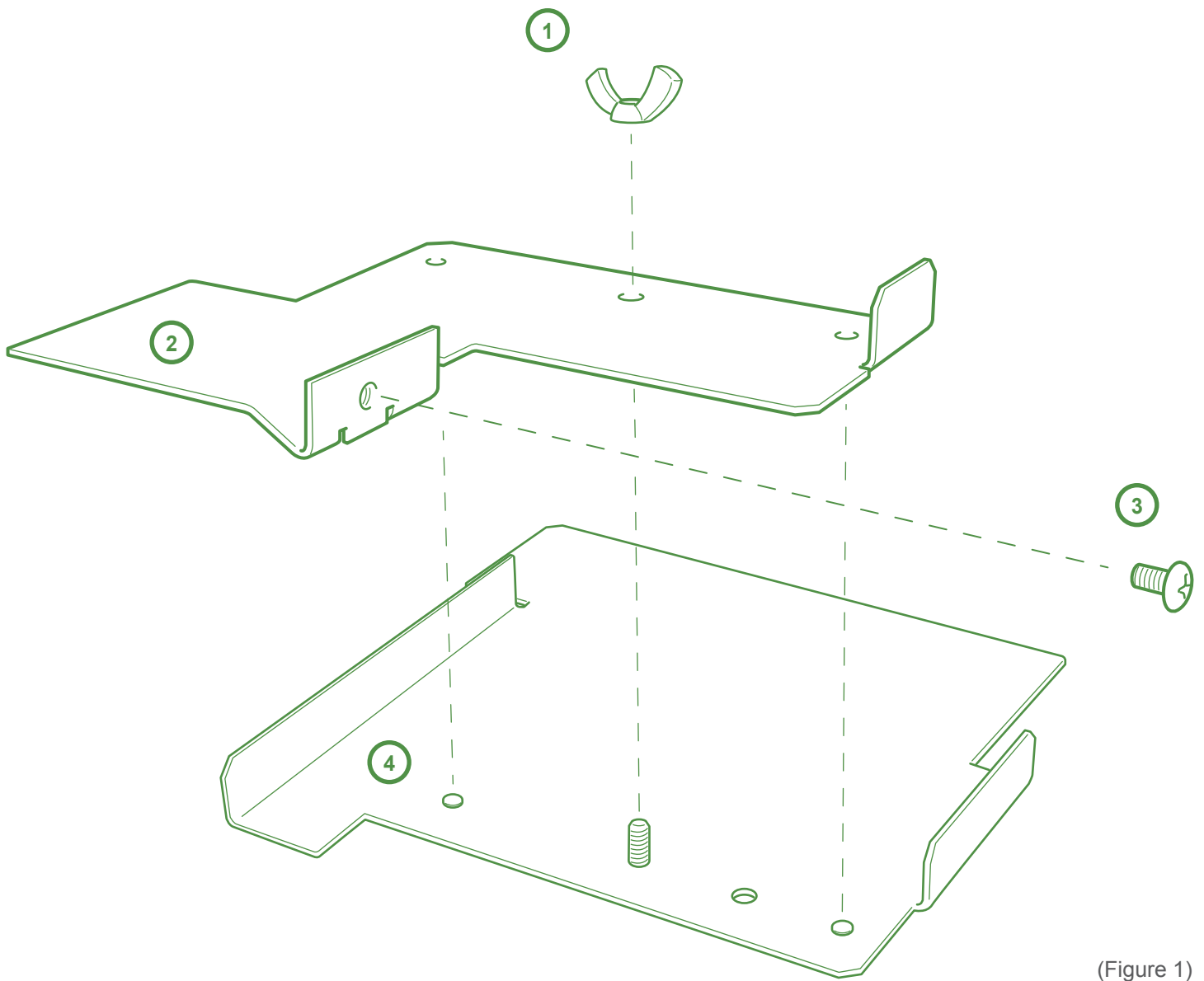
For Lx5 hardware configurations and low voltage wiring refer to the Lx5 Hardware User Guide.

For advanced Lx5 programming, including LPPK and AppLoader software instructions, refer to USB Tech Kit User Guide.

For Lx5 integration with a Building Automation System (BAS) refer to the Lx5 Integration Guide.

**Assembly Overview**

1. Wing Nut (6-32)
2. Inside Divider
3. Inside Divider Fastener (4-40 x 1/4)
4. Outside Divider

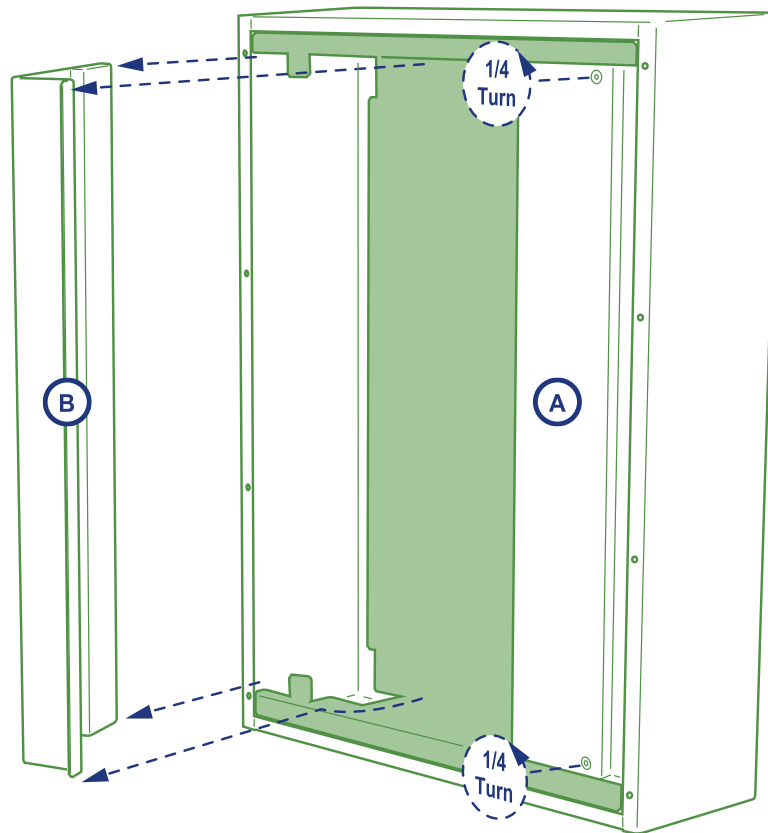


(Figure 1)

### Relay Cover Removal

The Relay Covers must be removed in order to complete RVD installation. (Figure 2)

1. Confirm power is disconnected from the panel.
2. Unlock 1/4 turn fasteners located near top and bottom of Relay Covers.
3. Remove Relay Covers by rotating inside edge outward and pulling Relay Cover free.
4. Complete RVD installation. (See page 7)
5. Replace Relay Covers.



(Figure 2)

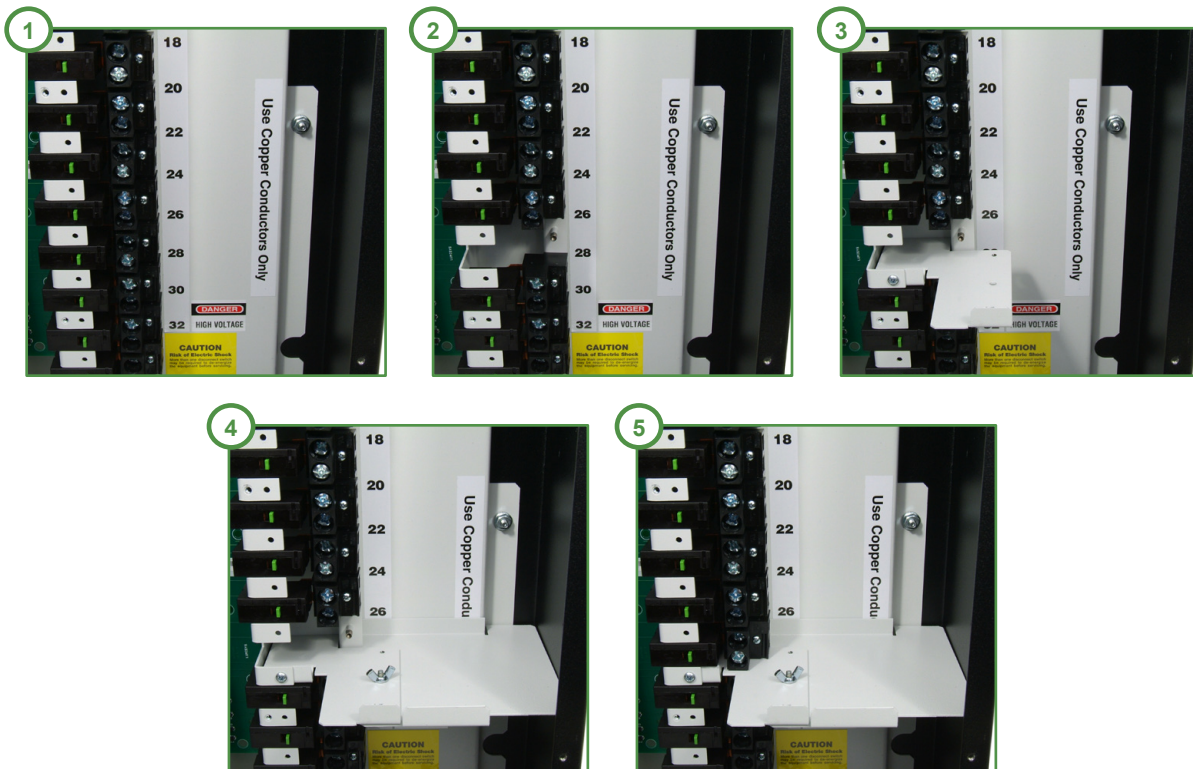


Disconnect line voltage power from the panel before performing these steps.

### RVD Installation

The RVD may now be installed. (Figure 3)

1. Confirm power is disconnected from the panel.
2. Remove a Lighting Tough Relay (LTR) from above or below the intended RVD location.
3. Insert Inside Divider and secure with Inside Divider Fastener.<sup>1</sup>
4. Insert Outside Divider. Mate threaded stud and alignment dowels with corresponding holes in Inside Divider. Install and tighten Wing Nut on threaded stud.
5. Reinstall LTR.<sup>1</sup>



(Figure 3)



<sup>1</sup> DO NOT exceed 5 in-lbs when tightening 4-40 size fasteners.



Disconnect line voltage power from the panel before performing these steps.