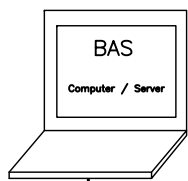


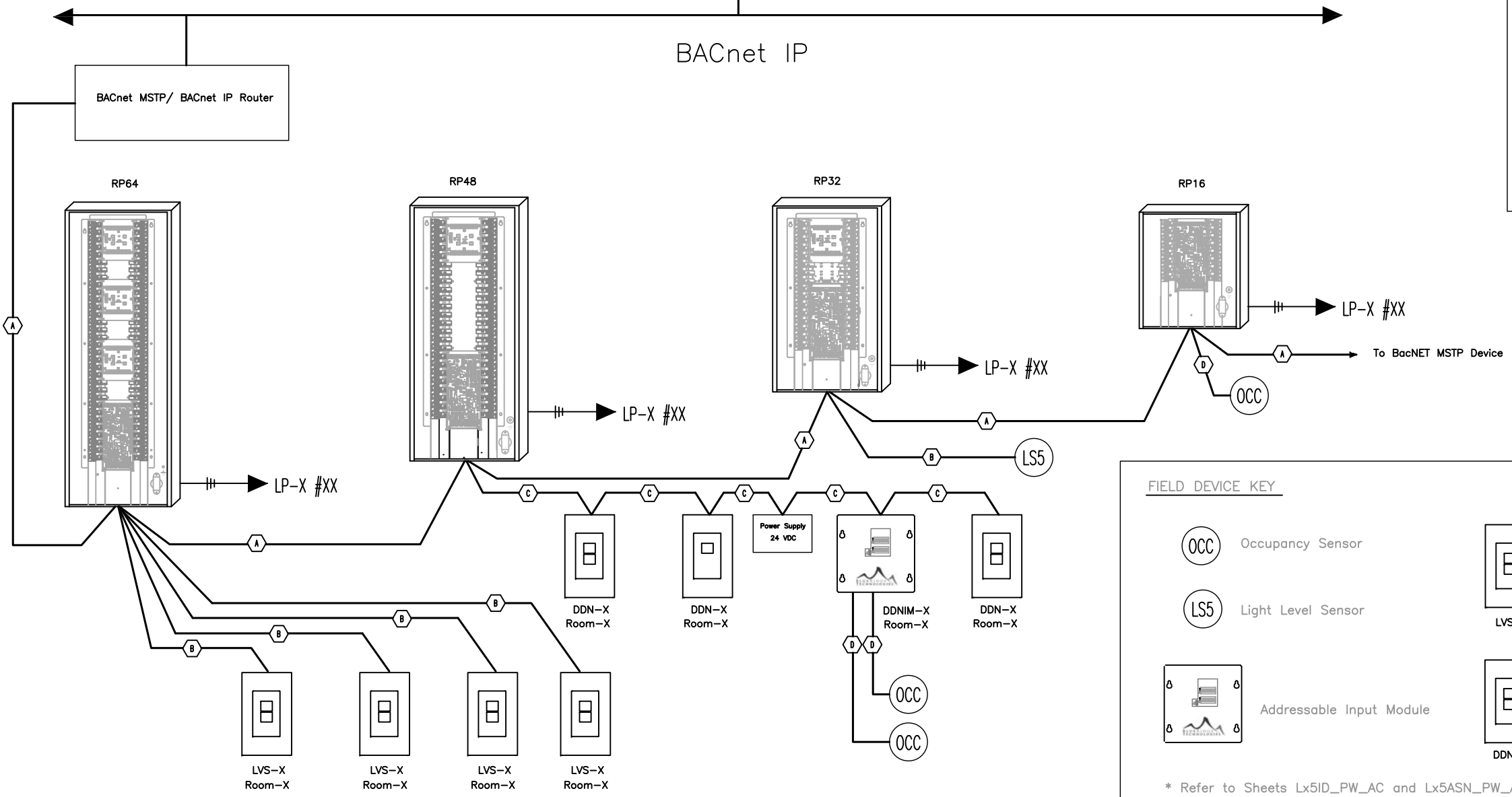
1 System Diagram Detail



* Refer to Sheet Lx5ASN_PD_PW_AC for Addressable Switch Network details.

WIRING KEY

	Belden 8760 or Equal RS-485 Network 4,000 feet (1219.2 meters) maximum
	18/3 Plenum Cable
	* Belden 1502P or Equal
	18/4 Plenum Cable 2 - Control Power 2 - Dry Contacts (N.C.)
	(3) Line Voltage Wires



FIELD DEVICE KEY

	Occupancy Sensor		Low Voltage Switch
	Light Level Sensor		Addressable Switch
	Addressable Input Module		

* Refer to Sheets Lx5ID_PW_AC and Lx5ASN_PW_AC for Field Device details.



1800 Sandy Plains Ind. Pkwy., Suite 216
Marietta, Georgia 30066
Ph: 770-790-4880 Fax: 770-790-4883
<http://www.BRTINT.com>

Product: System One Line Detail

Engineered by: CCJ Date: 08/05/2010
Drawn by: CCJ
Checked by: RP

Rev.	Date	By	Description

Sheet
SYS_ONE_LINE