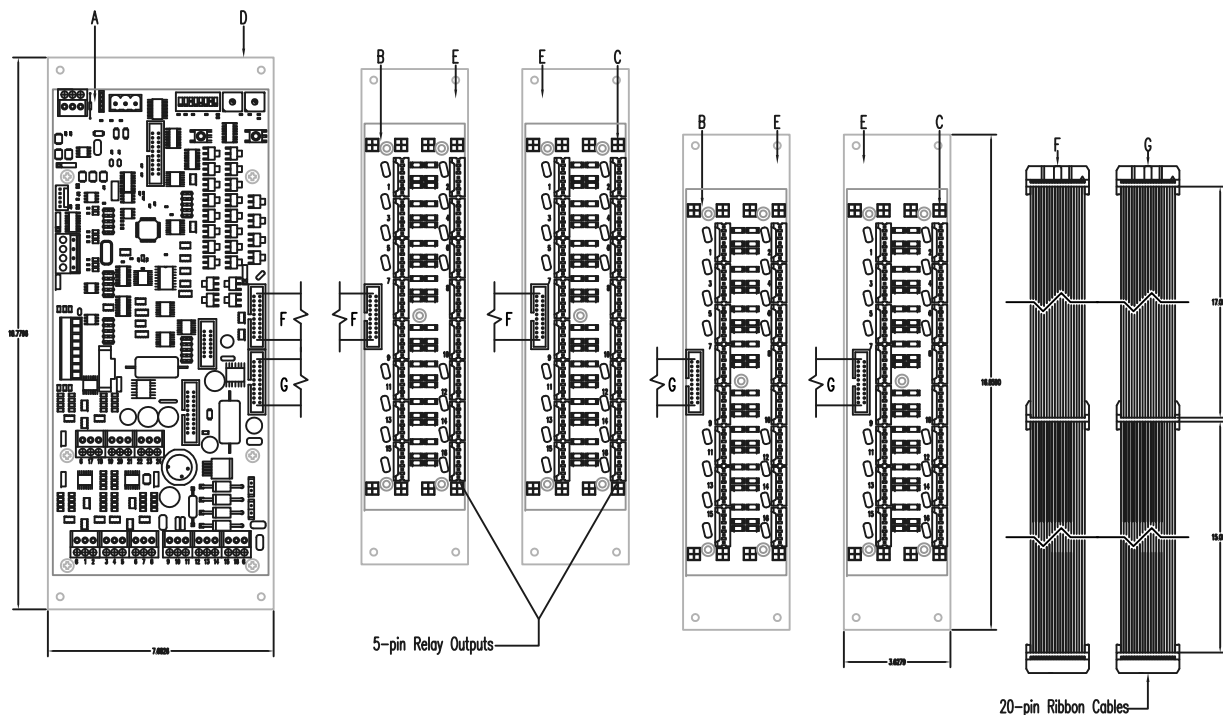


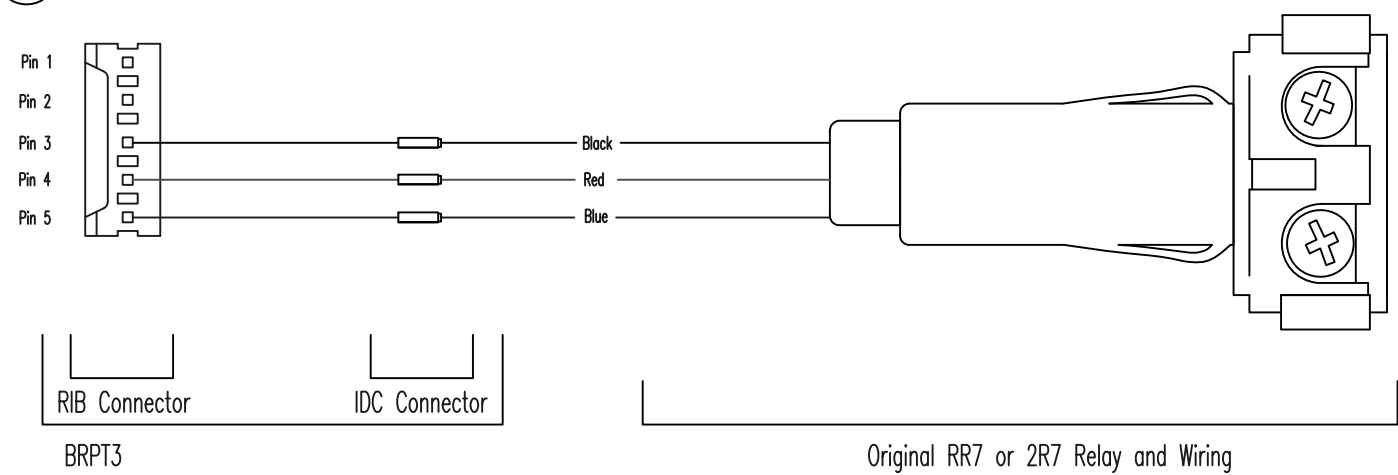
1 RK-3 Components



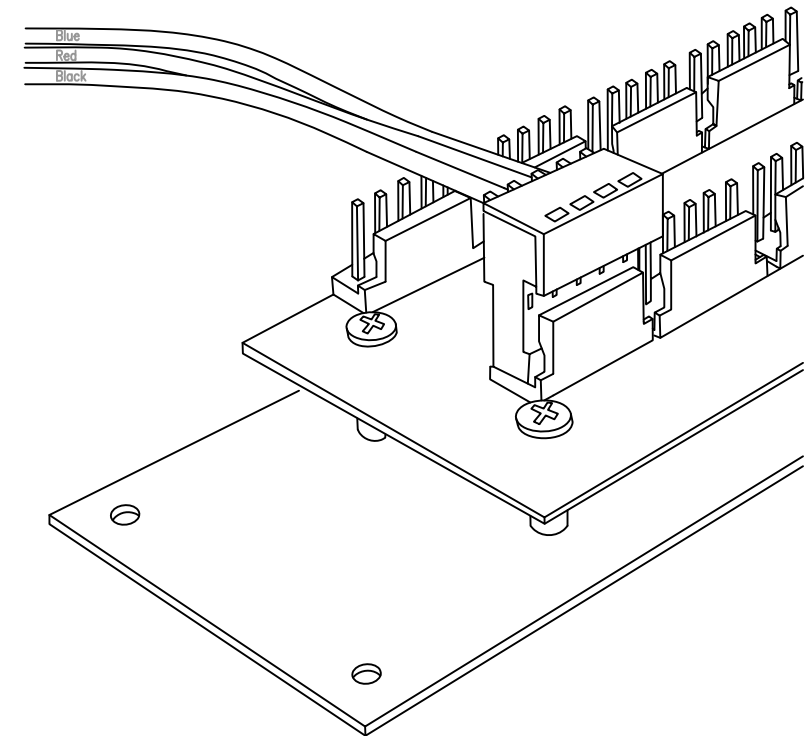
**Description**

- A** Lx5 Controller
- B** A Relay Card (Relay Outputs 1-16 or 33-48)
- C** B Relay Card (Relay Outputs 17-32 or 49-60)
- D** Lx5 Mounting Plate
- E** Relay Interface Board Mounting Plate
- F** 20 Pin Ribbon Cable To A and B Relay Cards
- G** 20 Pin Ribbon Cable To A and B Relay Cards

2 RK-3 Relay Wiring



3 RK-3 Pigtail Connection



1800 Sandy Plains Ind. Pkwy., Suite 216  
 Marietta, Georgia 30066  
 Ph: 770-790-4880 Fax: 770-790-4883  
<http://www.BRTINT.com>

Product: Retrofit Kit 3

Engineered by: CCJ  
 Drawn by: CCJ  
 Checked by: CCJ

Date: 05/09/2011

Rev.	Date	By	Description

Sheet  
 RK3\_OW\_AC