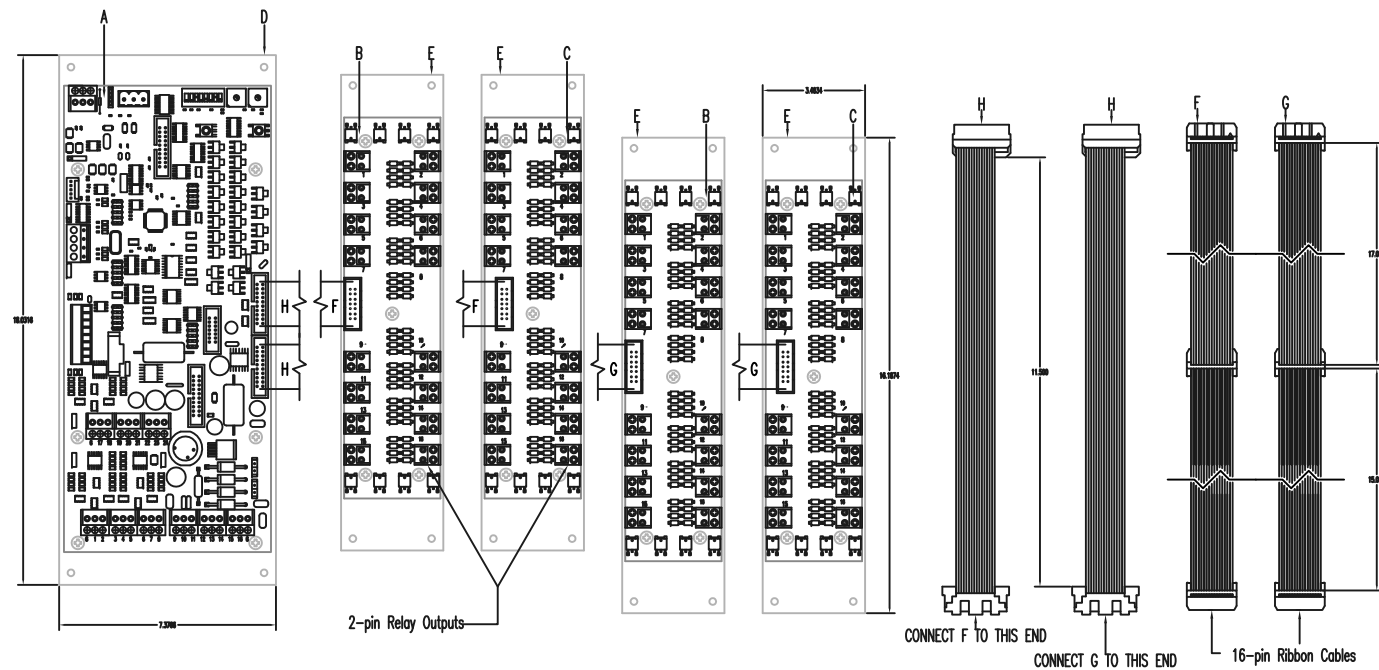


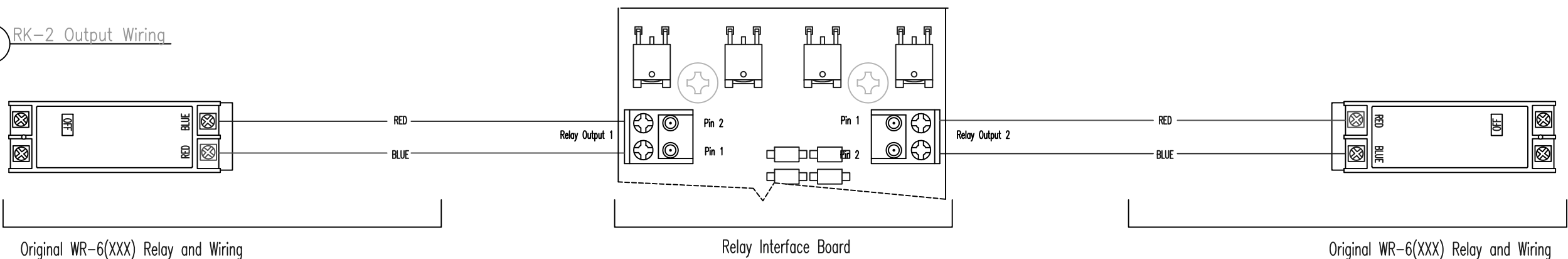
1 RK-2 Components



**Description**

- A** Lx5 Controller
- B** A Relay Card (Relay Outputs 1-16 or 33-48)
- C** B Relay Card (Relay Outputs 17-32 or 49-60)
- D** Lx5 Mounting Plate
- E** Relay Interface Board Mounting Plate
- F** 16 Pin Ribbon Cable To A and B Relay Cards
- G** 16 Pin Ribbon Cable To A and B Relay Cards
- H** 20 Pin to 16 Pin Adapter Cable

2 RK-2 Output Wiring



1800 Sandy Plains Ind. Pkwy., Suite 216  
 Marietta, Georgia 30066  
 Ph: 770-790-4880 Fax: 770-790-4883  
<http://www.BRTINT.com>

Product: Retrofit Kit 2

Engineered by: CCJ Date: 04/05/2011  
 Drawn by: CCJ  
 Checked by: CO

Rev.	Date	By	Description

Sheet  
 RK2\_OW\_AC