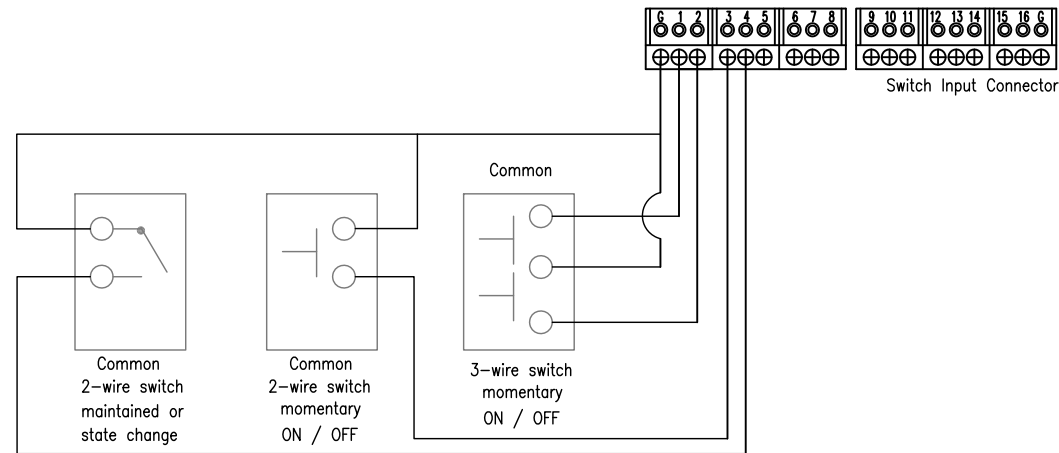
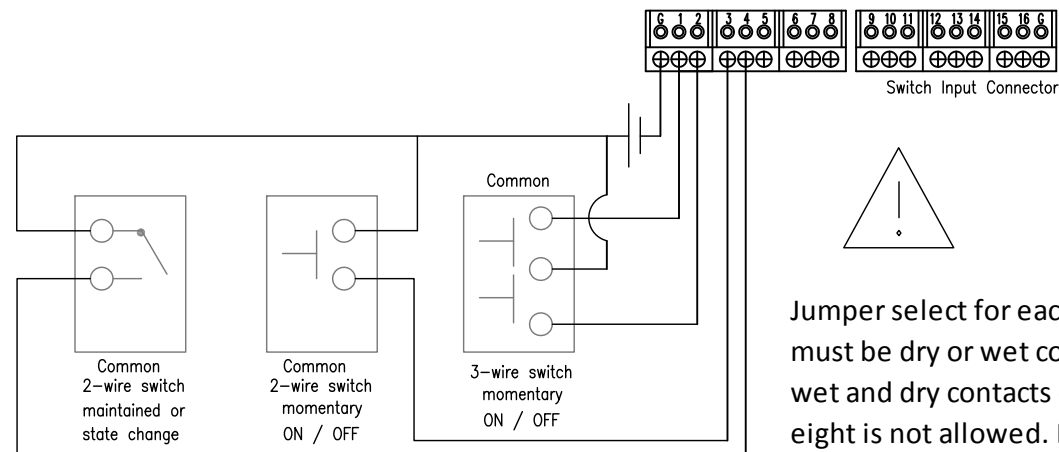


1 Lx5 Switch Inputs – Dry Contact
 Typical for 2-wire maintained and momentary, and 3-wire momentary switches



Wiring Recommendations:
 Gauge: 18 AWG (non-twisted, un-shielded wire only)
 Maximum Distance: 500 feet of wire between Switch Input Connector and switch terminals

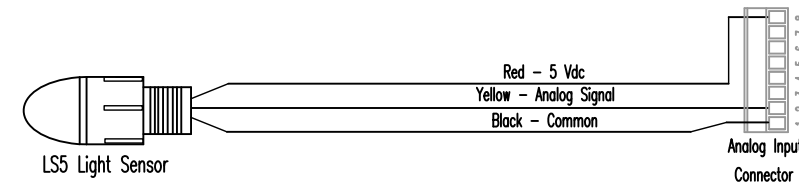
2 Lx5 Switch Inputs – Externally Powered
 Typical for 2-wire maintained and momentary, and 3-wire momentary switches



Jumper select for each set of eight inputs must be dry or wet contact type, mixing wet and dry contacts on the same set of eight is not allowed. External voltage must be between 12 and 24 VDC.

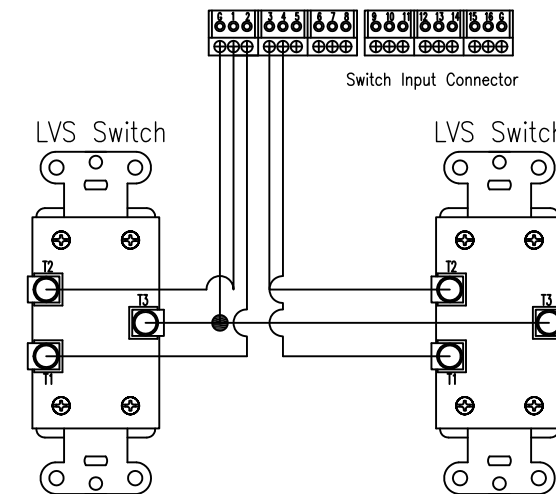
Wiring Recommendations:
 Gauge: 18 AWG (non-twisted, un-shielded wire only)
 Maximum Distance: 1,000 feet of wire between Switch Input Connector and switch terminals

3 Lx5 Analog Inputs
 Typical for LS5 Light Level Sensor



Wiring Recommendations:
 Gauge: 18 AWG (non-twisted, un-shielded wire only)
 Maximum Distance: 250 feet of wire between Analog Input Connector and LS5 Light Sensor

4 Lx5 Switch Inputs – Dry Contact
 Typical for LVS 3-wire momentary switches



Wiring Recommendations:
 Gauge: 18 AWG (non-twisted, un-shielded wire only)
 Maximum Distance: 500 feet of wire between Switch Input Connector and switch terminals