

Digi-Touch Overview

Digi-Touch is the first embedded device network for switches and occupancy sensors. Lx5 based products include the capability of networking addressable switches and input modules over a 4-wire network; 2 communication wires and 2 low voltage power wires.

Because Digi-Touch is a digital subnet it can perform the immediate action lighting control requires while maintaining soft configurability as an integral part of the Building Automation System. When Digi-Touch is utilized installers, energy managers, and users experience a dramatic improvement over standard switching and occupancy sensor performance.

Eliminate Low Voltage Home-Runs

Significantly less wire needs to be run and maintained when utilizing a Digi-Touch network as compared to a traditional wiring process; thereby reducing installation costs by eliminating the need for home run wiring.



Digi-Touch : Digital Switch Specifications (BRDDN-SW1 and SW2)

Configuration

Provides pushbutton for ON and OFF control of 2 lighting groups and may be one of many switches controlling the same group.

User Interface

One or two 0.6"(15mm) square LED illuminated momentary push-button switches. Switches illuminate Red when lights are ON and Green when lights are OFF. Removable caps are provided for labeling.

Dip Switch

8 position Dip switch assigns switch to desired lighting group. Dip switch is accessible when the Decora style cover plate is removed. (Not included)

Operations

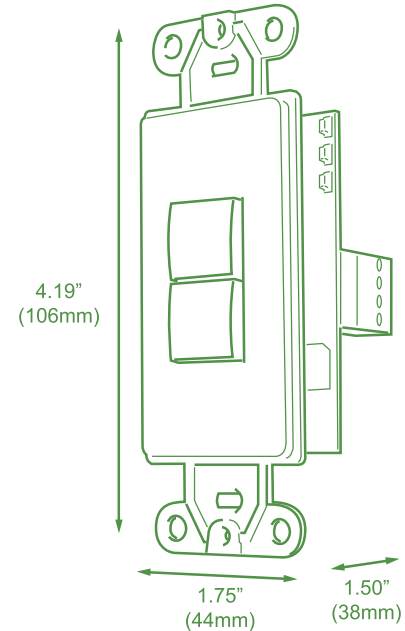
1.000.000 / Mechanical Life

Mounting

Standard single or multiple gang wall switch box. The mounting frame installs in a "Decora" (6mm or thicker) type cover plate. Includes removable terminal block for simple connections.

Dimensions

4.19"(106mm)H x 1.75"(44mm) W x 1.50"(38mm) D (Figure 1)



(Figure 1)

Digi-Touch : Input Module Specifications (BRDDN-IM)

Configuration

Converts any standard switches or occupancy sensors into addressable inputs. Settings allow incorporation of powered or dry contact devices of a momentary or maintained contact type.

Dip Switch

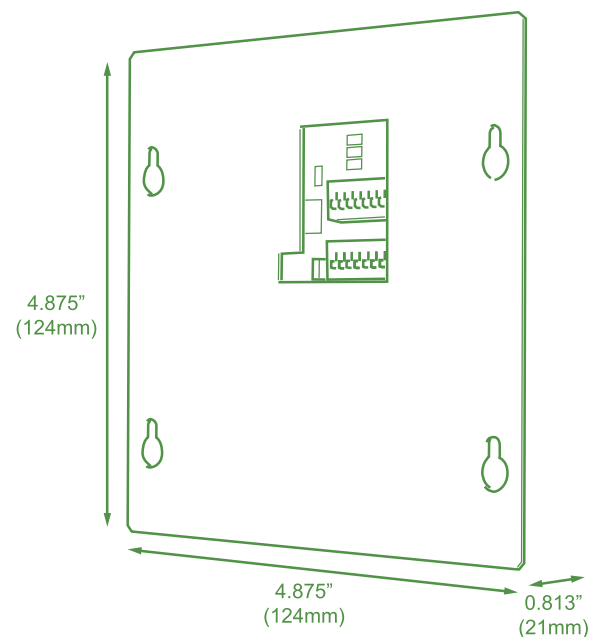
Two 8 position Dip switches configure switch type and address

Mounting

Standard 4-11/16" electrical box

Dimensions

4.875"(124mm)H x 4.875"(124mm)W x 0.813"(21mm)D (Figure 2)



(Figure 2)

Digi-Touch : General Specifications

Network

Transient protected two-wire differential signaling.

Wiring Recommendations

Belden 1502P or equivalent

Each Lx5 Controller has an integral 24VDC power source on the Digi-Touch Network Terminal that is capable of powering up to 10 Digi-Touch Switches at a maximum network length of 500ft(152m).

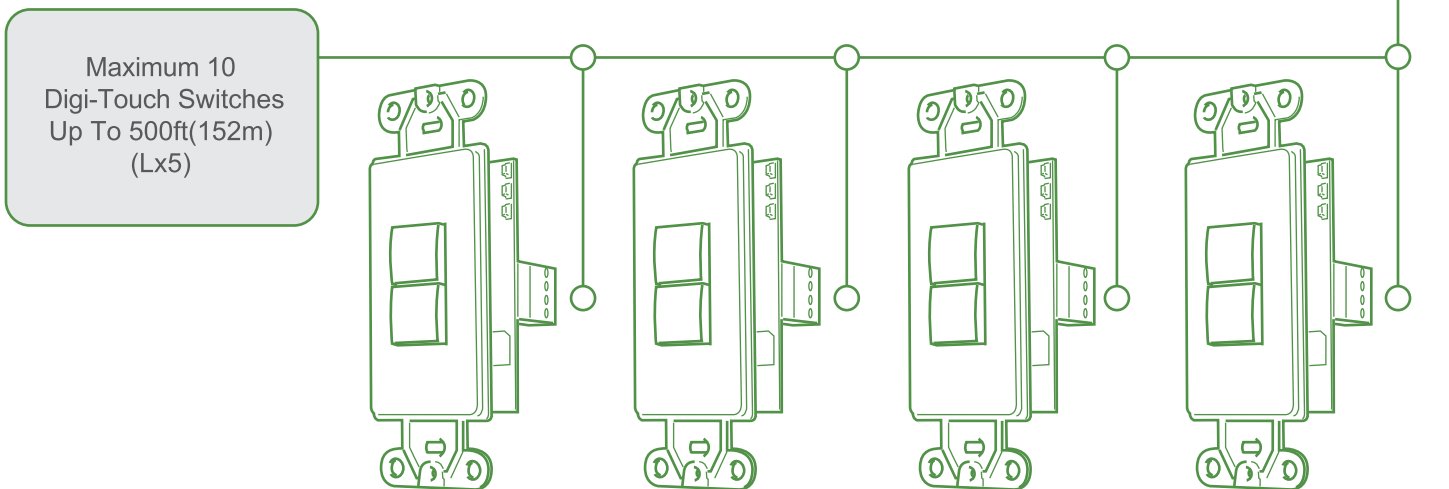
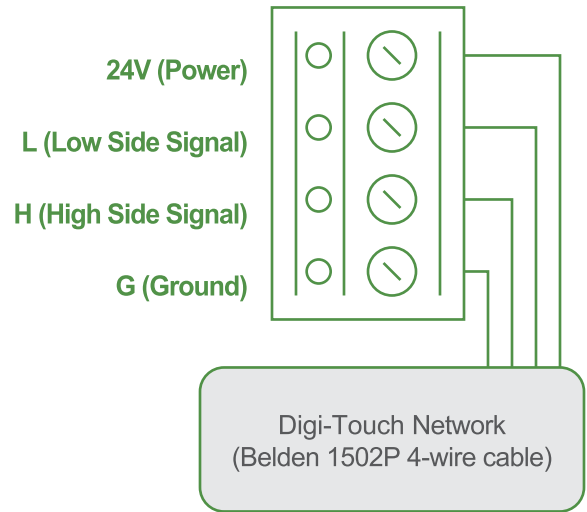
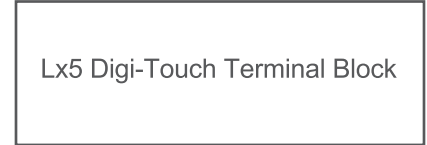
Alternate Wiring Recommendations

If any application surpasses 500ft(152m) of wire, exceeds 10 Digi-Touch Switches (BRDDN-SW1 or SW2), or requires a Digi-Touch Input Modules (BRDDN-IM); an external power source must be installed every 500ft(152m). Consult Blue Ridge for specific requirements and wiring details.

Environmental

Operating Temperature: 32° to 125°F

Operating Humidity: 20% - 95% RH, Non-condensing



Part Number	Description
BRDDN-IM	Digi-Touch Input Module
BRDDN-SW1	Digi-Touch 1-Button Digital Switch (single gang)
BRDDN-SW2	Digi-Touch 2-Button Digital Switch (single gang)
BRPS2.5A-120V	Optional external power supply, 24 VDC, 2.5 A