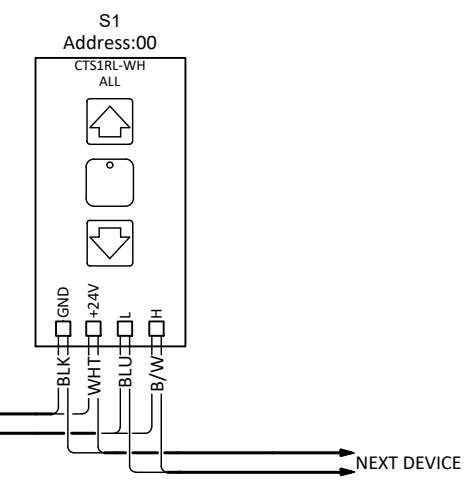
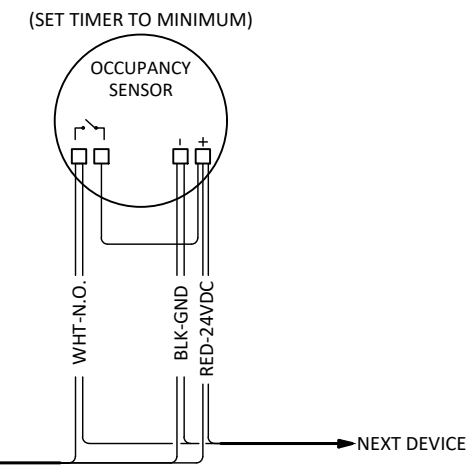
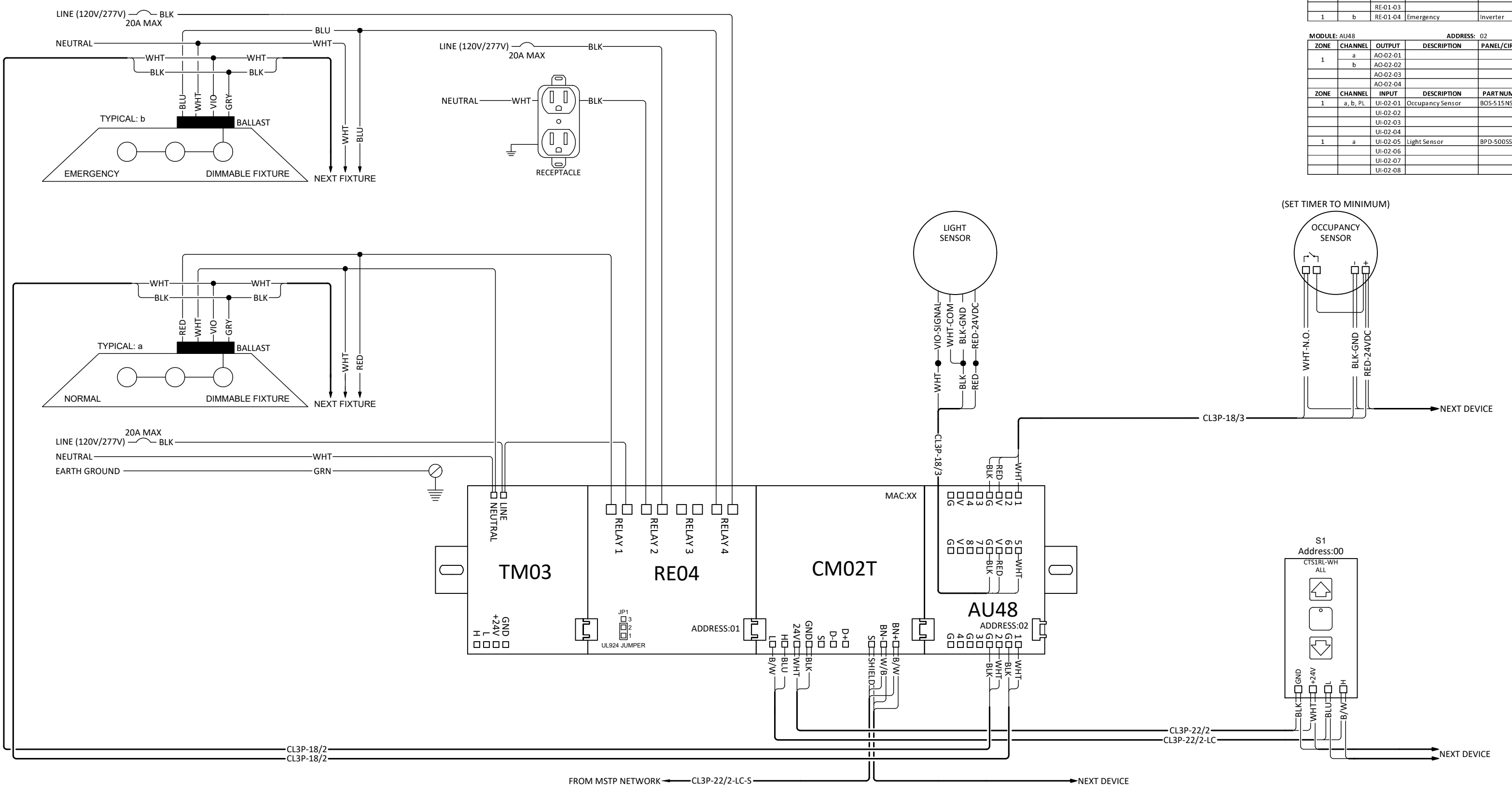


MODULE: RE04			ADDRESS: 01	
ZONE	CHANNEL	OUTPUT	DESCRIPTION	PANEL/CIRCUIT
1	a	RE-01-01		
	PL	RE-01-02		
		RE-01-03		
1	b	RE-01-04	Emergency	Inverter

MODULE: AU48			ADDRESS: 02	
ZONE	CHANNEL	OUTPUT	DESCRIPTION	PANEL/CIRCUIT
1	a	AO-02-01		
	b	AO-02-02		
		AO-02-03		
		AO-02-04		
ZONE	CHANNEL	INPUT	DESCRIPTION	PART NUMBER
1	a, b, PL	UI-02-01	Occupancy Sensor	BOS-515NSA
		UI-02-02		
		UI-02-03		
		UI-02-04		
1	a	UI-02-05	Light Sensor	BPD-5005S
		UI-02-06		
		UI-02-07		
		UI-02-08		



ENGINEERING STANDARDS
TZW-CP0231B0-00010-00010

Typical Zone Wiring

Rev: 1.01	Type: Wiring Typical	Date: 03-27-20	Job #:
-----------	----------------------	----------------	--------

BLUE RIDGE TECHNOLOGIES™
UNIFIED LIGHTING CONTROL

Engineered: WCD
Drawn: AWD
Checked: BBL
Page: 1 of 1

NOTE: For wire requirements see Cabling Data Sheet.