



Overview

USB Tech Kit (USB-TK) includes all components for programming Retrofit Interior (RI), Retrofit Kit (RK), and Relay Panel (RP) Controllers. USB-TK facilitates Controller setup, programming, firmware updates, and firmware restoration. The kit features a 16'(5m) USB Tech Cable (USB-TC) for computer connection and a 1GB flash drive containing instructions, LPPK Software, AppLoader Software, and Software utilities.

Features

Compatible with RI, RK, and RP
Complete Software tool set and instructions
Extended reach 16'(5m) USB-TC

Warranty

Two (2) year limited manufacturer warranty from date of shipment
(extended warranty optional)

Flash Drive Specifications

Capacity: 1GB

Contents:

- Documents
 - USB-TK User Guide
 - Controller Integration Guide (BACnet MS/TP, N2, and P1)
 - BACnet MS/TP PIC Statement

LPPK: Controller setup and programming Software

- LPPK Install
- Unlock LPPK
- LPPK Product Codes
- LPX Files

AppLoader: Controller firmware update and restoration Software

- AppLoader Install
- AppLoader User Guide
- AppLoader Clippings

Utilities

- USB Drivers
- RealTerm

Tech Cable Specifications

Dimensions: 16'(5m)L

Computer Connection: Standard-A USB plug

Controller Connection:

LPPK: RS-485, 3-pin green plug, female pins

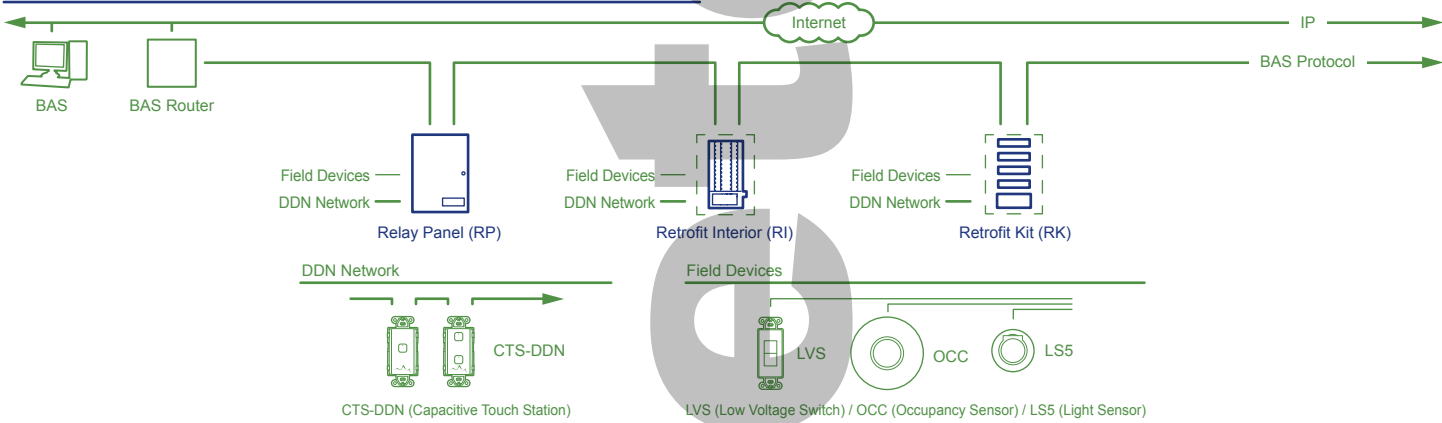
AppLoader: 5-pin red/white plug, female pins

USB Tech Kit

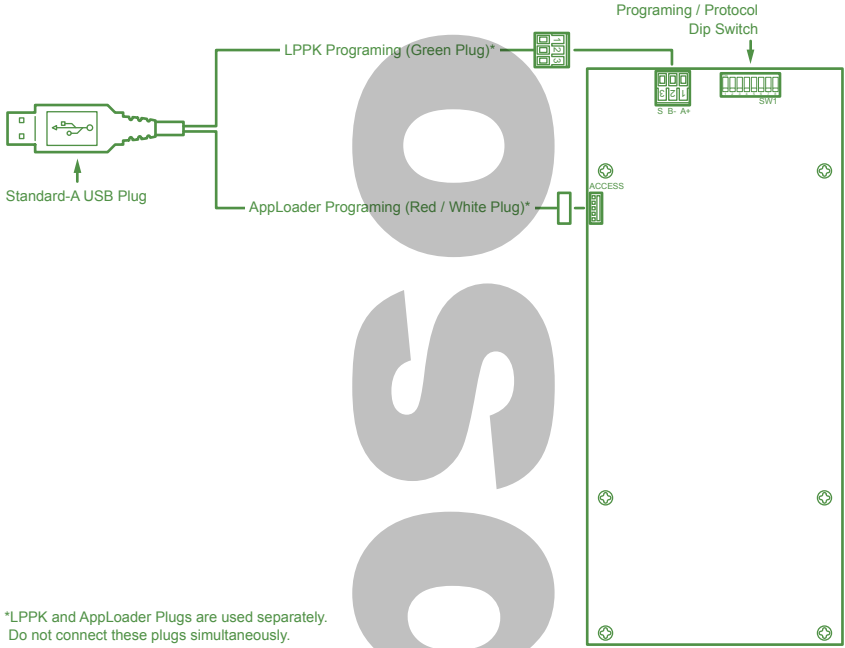
www.BRTint.com : 800-241-9173 Blue Ridge Technologies® © 2014 Blue Ridge Technologies International, LLC All Rights Reserved. FN-USB-TK-DS-V14.02

Data Sheet

General Architecture



Controller Terminations



Ordering Information

Part Number	Description
FNUSB-TK	USB Tech Kit (LPPK / Related Software and USB Tech Cable)
FNUSB-TC	Replacement USB Tech Cable