

Project	Part Number	Ref.
---------	-------------	------

Overview

Relay Panel (RP) is a UL Listed lighting control panel. RP may be controlled from any P1 BAS and is compatible with all low voltage switches. RP mounts near the circuit breaker panel to provide centralized control of branch lighting circuits. Relay Panel 08 (RP08) features 4 or 8 Lighting Tough Relays (LTR) and a removable door.

Features

- UL Listed
- P1 communication to BAS network
- Sub network for Capacitive Touch Stations (CTS-DDN)
- Line and low voltage compartment separation
- Upgradable controller firmware

General Specifications

Construction: 16ga steel with black powder coat finish
 Dimensions:
 Enclosure: 14.75"(375mm)H x 13.00"(330mm)W x 5.75"(146mm)D
 Door Surface Mount: 14.94"(379mm)H x 13.16"(334mm)W
 Weight: 20.5lbs(9.3 kg)
 Mounting: Surface mounted
 Operating Environment: 32-125°F (0-50°C), 20-95%RH, non-condensing, Type 1 (dry / indoor environment)

Certifications

UL Listed, UL916 Standard for Energy Management Equipment, US/Canada
 FCC Part 15
 CEC Title 24
 Electronics meet or exceed IEC Level 3

Warranty

Two (2) year limited manufacturer warranty from date of shipment (extended warranty optional).

Controller Specifications

Power In: 24VAC +/-10%, 30VA, 50-60 Hz
 Auxiliary Out: 24VAC, 800mA (devices with full wave rectified power supply only)
 Digital Input (DI) and DDN Network Power Out: 24VDC, 200mA total
 Digital Input: 24 two-wire inputs
 Software Configuration: Maintained, state change, momentary on/off, momentary on, or momentary off
 Jumper Configuration: 8 input segments, dry contact (N) or 24VDC externally powered (R)
 Wire Requirement / Maximum Length: 18AWG (Solid or Stranded) / Dry Contact 500'(152m) or externally powered 1,000'(304m)
 Analog Input: 6 three-wire 0-5VDC inputs
 Power Out: 5VDC, 50mA total
 Wire Requirement / Maximum Length: 18AWG (Solid or Stranded) / 250'(76m)

BAS Network Specifications

P1
 Baud Rate: DIP switch selectable 4.8K, 9.6K, 19.2K, or 38.4K
 Address Range: 1 – 99 selectable with rotary dials
 Topology: RS-485, half duplex, daisy chain wiring
 Wire Requirement / Maximum Length: CL3P, 22AWG, 2 conductor, shielded, low cap / 4000'(1216m)
 Points: See Integration Guide

DDN Network Specifications

Compatible with CTS-DDN and DDN devices. See data sheet for details.



Transformer Specifications

Type: 30VA Inherently Limited
 Primary: Dual Tap 120 or 277VAC +/-10%, 30VA, 50-60 Hz
 Secondary: 24VAC +/-10% Inherently Limited
 Wire Requirement: 18AWG Minimum (Solid or Stranded)

LTR Specifications

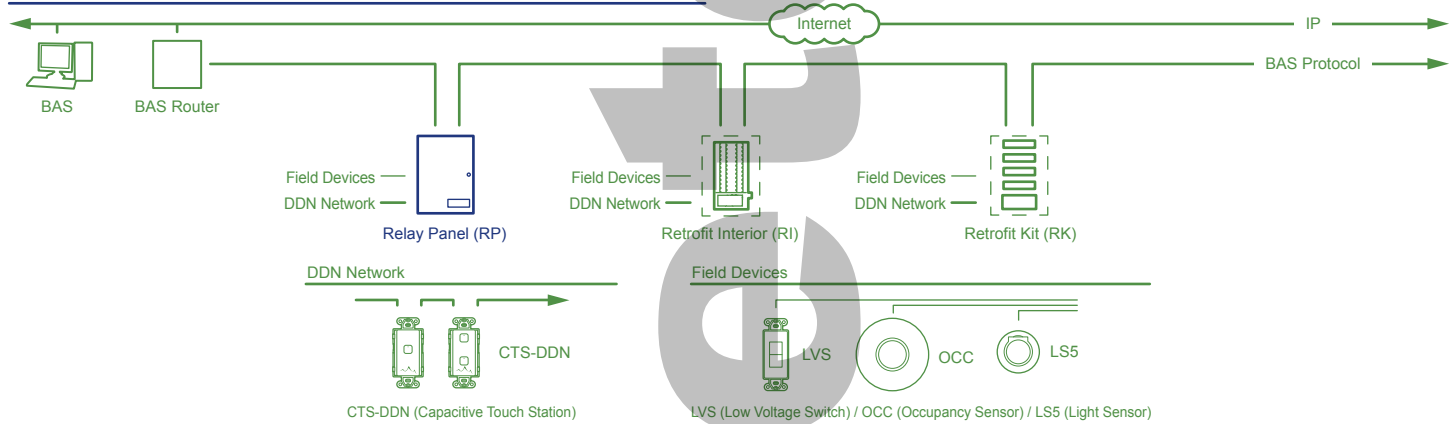
Type:
 UL Listed
 SPST latching with manual override lever
 Electrically operated mechanically held, pulse driven
 Short Circuit Current Rating (SCCR) 20,000A @ 277 VAC
 Ratings: Tungsten 20A @ 120VAC / Ballast 20A @ 277VAC / Ballast 20A @ 347VAC / Resistive 20A @ 277VAC / Resistive 20A @ 347VAC
 Load Terminal: Universal screw terminal, box type clamp
 Terminal Capacity (per side): (2) 14-10AWG or (1) 8AWG (Solid or Stranded copper wire)

Relay Panel 08

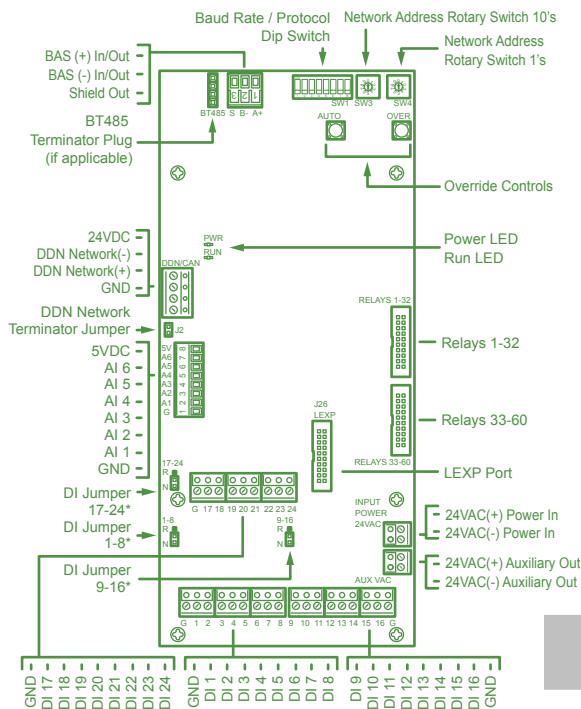
www.BRTint.com : 800-241-9173 Blue Ridge Technologies® © 2016 Blue Ridge Technologies International, LLC All Rights Reserved. FN-RP08-DS-V14.02

Data Sheet

General Architecture



Controller Terminations



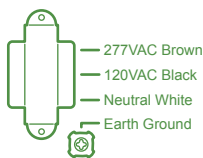
Ordering Information

FN08P - XX - XX

Actual Quantity of Relays Installed
 XX = 04 4 Relays Installed
 08 8 Relays Installed

Special Options
 XX = 00 None

Transformer Terminations



LTR Terminations

