

Project

Part Number

Ref.

Data Sheet



### Overview

LS5 is a photodiode light level sensor compatible with all Unified Lighting Control platforms. The 0-5VDC signal converts to both Foot-candle (FC) and LUX values to facilitate local as well as BAS daylight harvesting functions. LS5 features a compact white polymer housing and is available for outdoor applications.

### Features

UL and ETL Listed  
Compatible with all platforms  
Available for various applications

### General Specifications

Construction: White polymer  
Approximate Weight: 1oz(30g)  
Operating Environment: -40-140°F (-40-60°C)

### Photodiode Specifications

Type: Blue enhanced photodiode  
Signal: 0-5VDC linear  
Time Response: 10 second full range  
Tolerance: 12%  
Repeatability: +/-0.5%  
Linearity: 2%  
Temperature: +/-10%

### Electrical Specifications

Power Input / Draw: 5VDC / 4.8mA  
Leads: 6"(152mm)L, 18AWG, 3-wire  
Red: 5VDC  
Black: Common  
Yellow: Signal

### Certifications

UL Listed, UL916, US/Canada  
ETL Listed, US/Canada  
NEC Class 2  
CEC Title 24  
RoHS

### Warranty

Two (2) year limited manufacturer warranty from date of shipment  
(extended warranty optional)

### Outdoor Sensor (LS50) Specifications

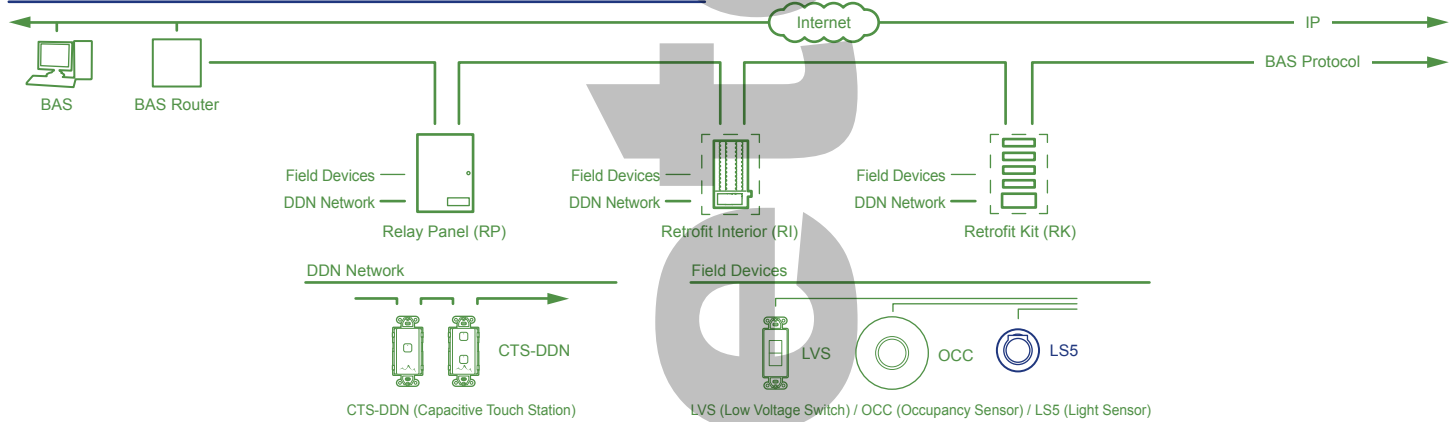
Dimensions: 2.19"(56mm) Protrusion when mounted x 1.31"(33mm)Dia.  
Mounting Method: Male 1/2" NPT / 1/2" Knockout  
Mounting Orientation: Sensor window horizontal with hood up  
Sensor Range: 0-250FC

# Light Sensor 5

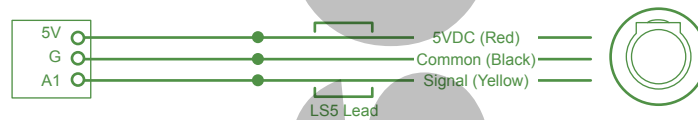
www.BRTint.com : 800-241-9173 Blue Ridge Technologies® © 2016 Blue Ridge Technologies International, LLC All Rights Reserved. FN-LS5-DS-V14.02

Data Sheet

## General Architecture



## Controller Terminations



## Ordering Information

Part Number	Description
FNLS50	Light Level Sensor, 5VDC Linear Photodiode for Outdoor Use