

Project

Part Number

Ref.

Data Sheet : Catalog Page 92



Overview

Enclosure (CP) is a UL Listed enclosure suitable for various control components. CP incorporates the same steel construction and powder coat finish standard on Relay Panel (RP) enclosures. CP also includes a monolithic back plate which is finished in white for increased interior visibility and removable for component as well as enclosure mounting.

Enclosure 15 (CP15) features a removable door and transparent document pocket.

Features

- 136 sq inches of component mounting surface
- Powder coated steel construction
- Removable door

General Specifications

Construction: 16ga steel

Finish:

- Enclosure: Black powder coat
- Back Plate: White powder coat

Dimensions:

- Enclosure: 14.75"(375mm)H x 13.00"(330mm)W x 5.75"(146mm)D
- Back Plate (Mounting Surface): 13.63"(346mm)H x 10.00"(254mm)W
- Interior Depth: 5.00"(127mm)D
- Door Surface Mount: 14.94"(379mm)H x 13.16"(334mm)W

Weight: 13lbs(6kg)

Mounting: Surface mounted

Operating Environment: Type 1 (dry / indoor environment)

Certifications

UL Listed, UL508A, US/Canada

Warranty

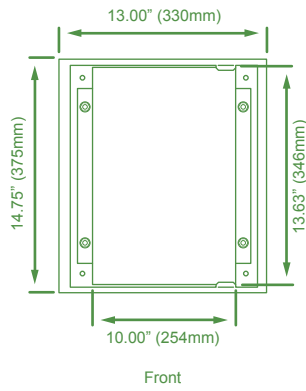
Five (5) year limited manufacturer warranty from date of shipment (extended warranty optional)

Enclosure 15

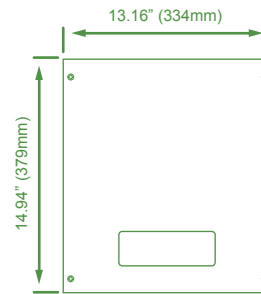
www.BRTint.com : 800-241-9173 Blue Ridge Technologies® © 2016 Blue Ridge Technologies International, LLC All Rights Reserved. CP15-DS-V14.05

Data Sheet : Catalog Page 93

Enclosure / Backplate Dimensions



Surface Mount Door Dimensions



Ordering Information

Part Number	Description
CP15-S	Enclosure 15" Surface Mount