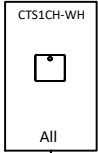
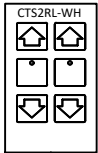
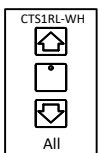
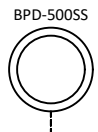
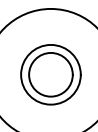
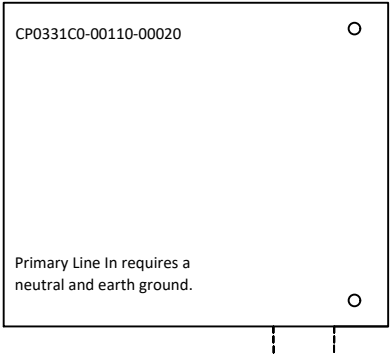
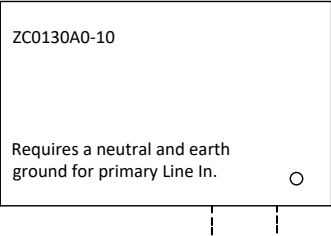
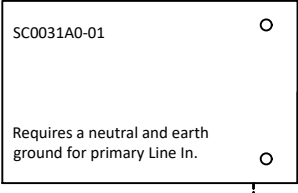







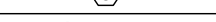



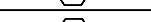




Symbol	Definition
	Capacitive Touch Station 1-On/Off
	Capacitive Touch Station 2-R/L
	Capacitive Touch Station 1-R/L
	Light Sensor
	Occupancy Sensor (Dual Tech)

Symbol	Definition
	Control Panel, (CP)
	Zone Controller, (ZC)
	Satellite Controller, (SC)

General Symbols	
Symbol	Definition
	Class-I Wire/Cable
	Class-II Wire/Cable
	Indicates Daisy Chain Topography
	BACnet/MSTP, CL3P-22/2-LC-S
	CANbus, (1)CL3P-22/2-LC, (1)CL3P-22/2
	Input Cable, CL3P-22/3
	Output Cable, CL3P-22/2
	14-10 AWG, Copper Conductors
a,b,c, etc...	Indicates Control Channel
(PL)	Plug Load
DLH	Daylight Harvesting
Parallel	Multiple Devices, Single Input
Discrete	One Device Per Input

Responsibility Matrix		
Symbol	Division *23	Division 26
	X	
	X	
	X	
		X
		X

*Division 23 or Division 25

Lighting Control Diagrams: Template Details (NTS)			
TYPICAL APPLICATIONS			
Rev: 1.01	Type: Wiring Typical	Date: 03-30-20	Job #:
			Engineered: WCD
			Drawn: EFM
			Checked: BBL
			Page: 1 of 1