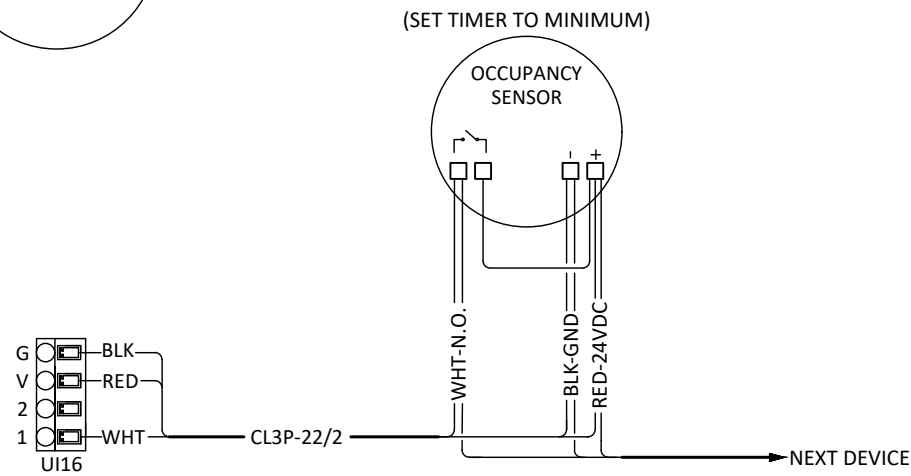
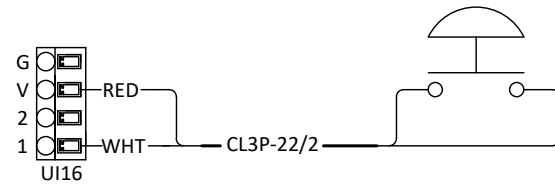


DTL-200.1



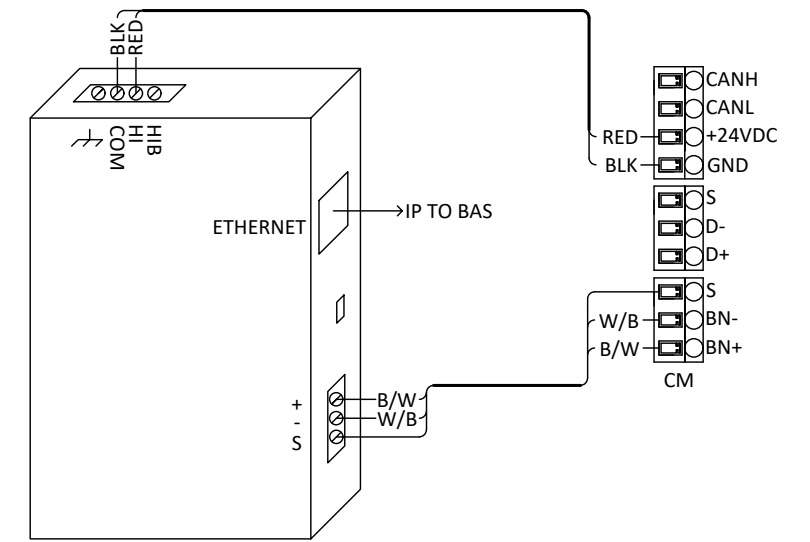
OCCUPANCY SENSOR

DTL-200.3



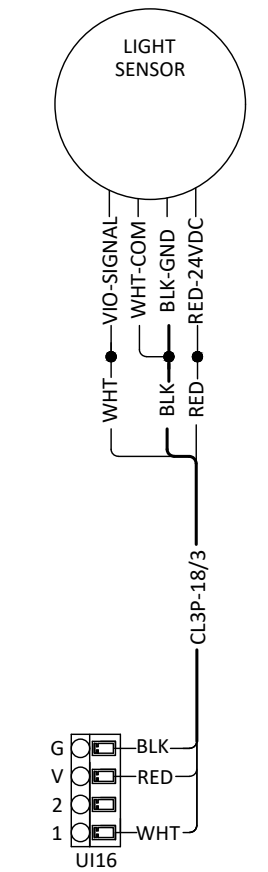
MOMENTARY PUSH BUTTON

DTL-200.5



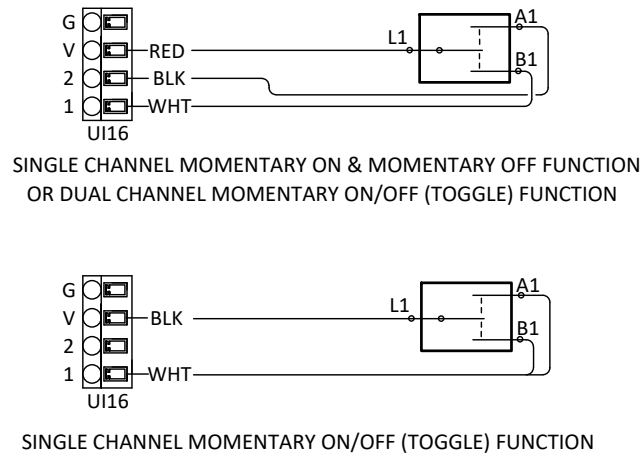
BASRT-B BACNET MS/TP TO IP ROUTER

DTL-200.2



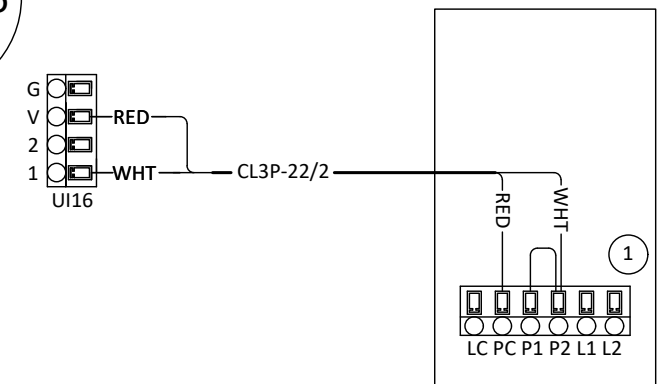
LIGHT SENSOR

DTL-200.4



LEVITON 1256-W SPDT MOMENTARY SWITCH

DTL-200.6



TT-K3M-W MOMENTARY KEY SWITCH
BI-DIRECTIONAL TOGGLE - SINGLE UNIVERSAL INPUT

1 SWITCH PIN FUNCTIONS
 PC - KEY SWITCH COMMON
 P1 - CLOCKWISE KEY TURN SWITCH
 P2 - COUNTER CLOCKWISE KEY TURN SWITCH

ENGINEERING STANDARDS DETAIL SHEET 200			
Typical Class-II Wiring			
Rev: 1.04	Type: Wiring Typical	Date: 11/01/2022	Job #:
			Engineered: WCD
			Drawn: EFM
			Checked: ML
UNIFIED LIGHTING CONTROL			Page 1 of 1