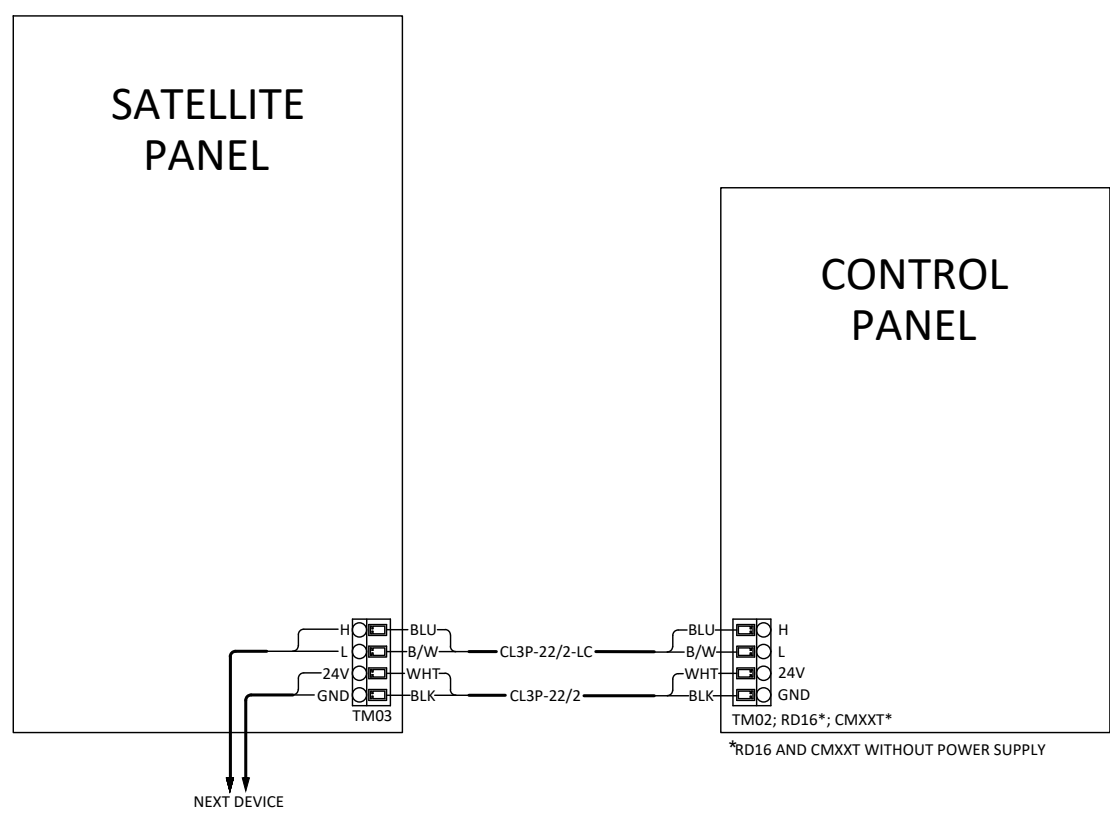
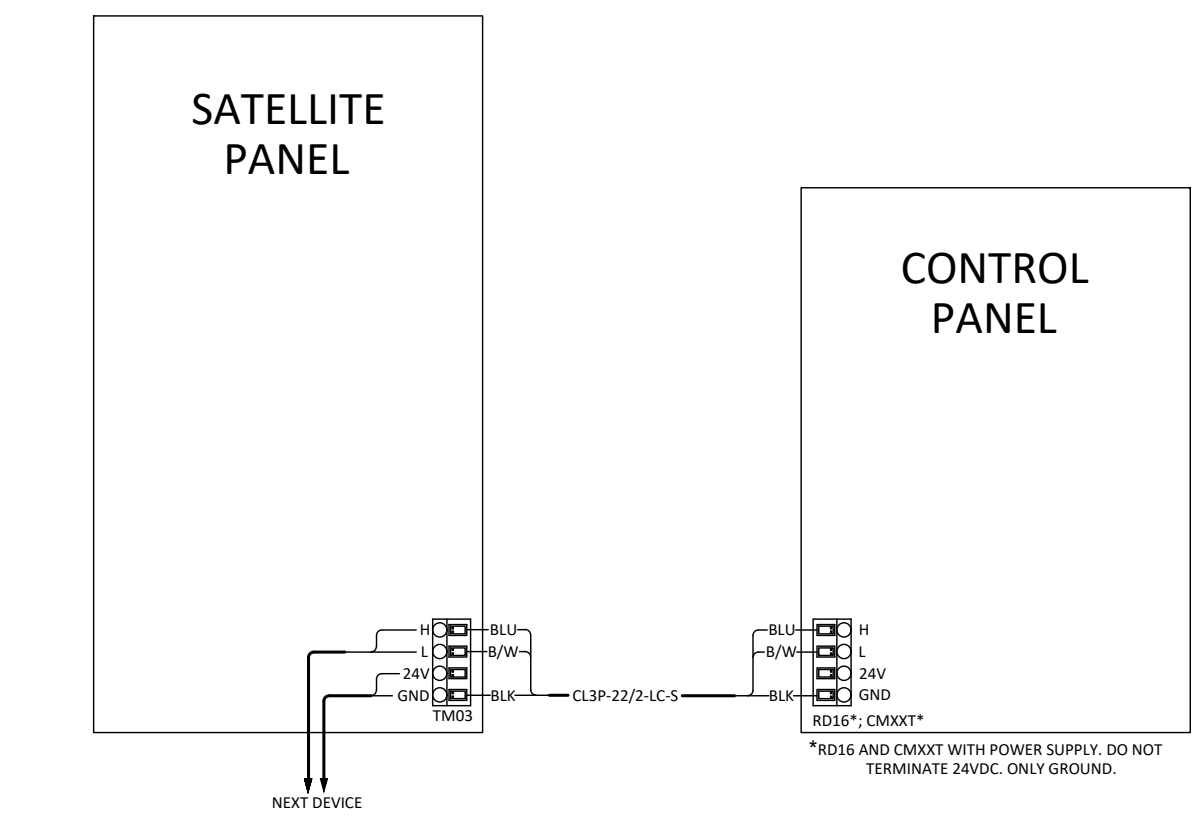


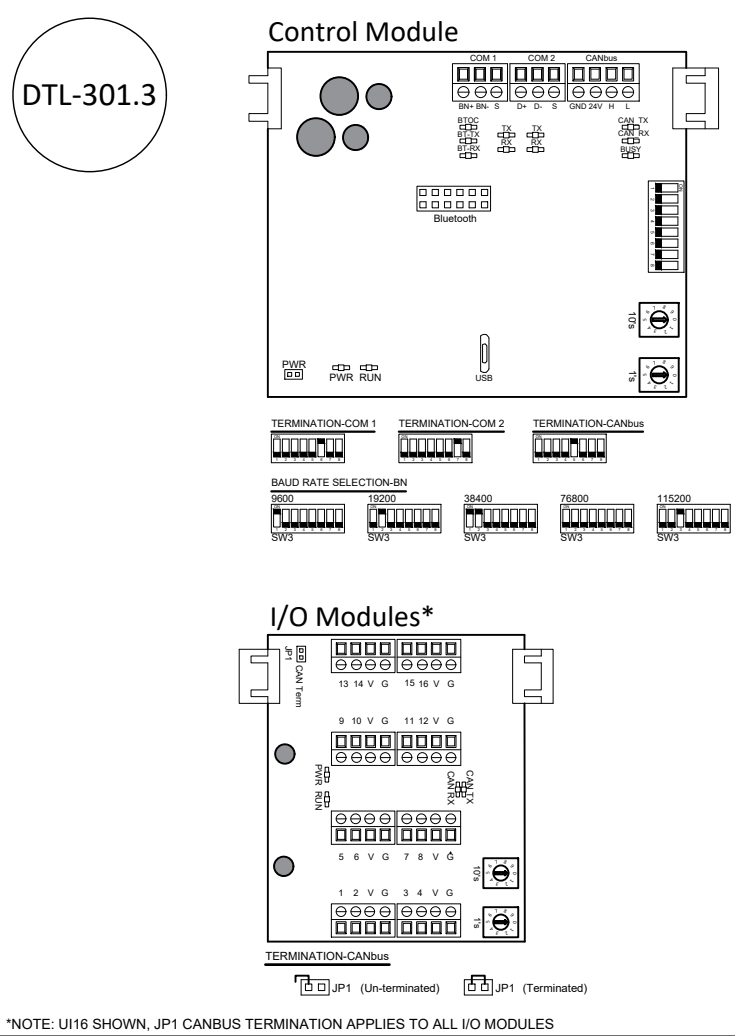
DTL-301.1



DTL-301.2

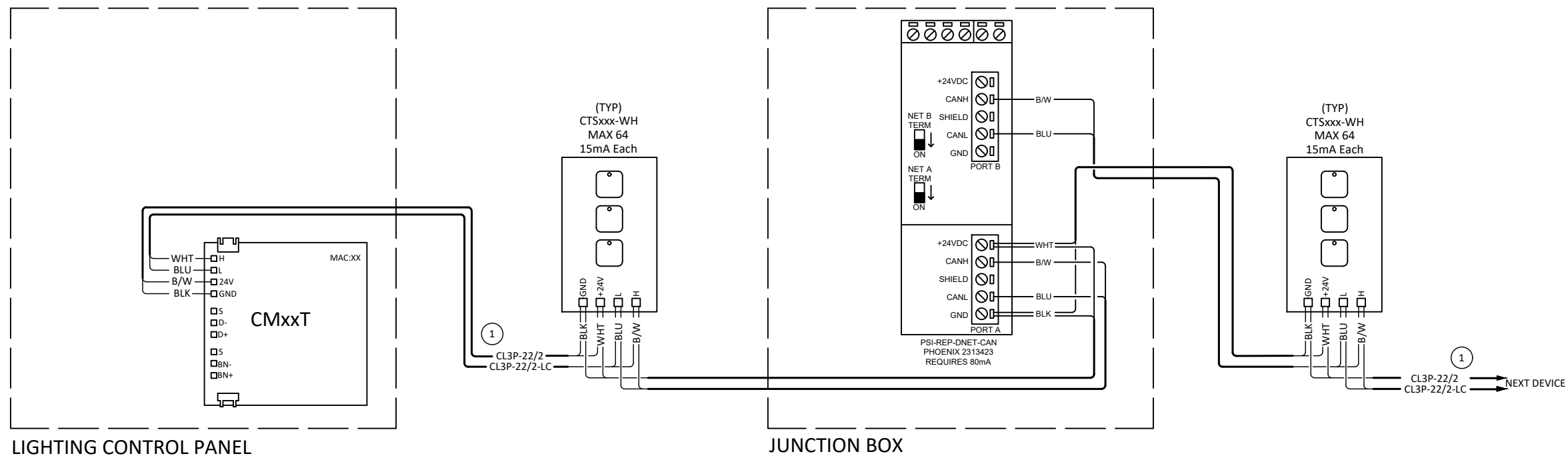


DTL-301.3



DTL-301.4

CANBUS REPEATER WIRING DETAIL - PHOENIX 2313423 IN-LINE CONFIGURATION



1 NOTE: MAX WIRE LENGTH OF 1000' PER CANBUS NETWORK ON EITHER SIDE OF THE REPEATER, REGARDLESS OF THE NUMBER OF DEVICES ON THE NETWORK.

ENGINEERING STANDARDS
DETAIL SHEET 301

Typical Zone Wiring

Rev: 1.02	Type: Wiring Typical	Date: 09/14/2022	Job #:
-----------	----------------------	------------------	--------

Engineered: WCD
Drawn: EFM
Checked: WCD
Page: 2 of 2

BLUE RIDGE TECHNOLOGIES™
UNIFIED LIGHTING CONTROL